



Absolutely The Best Crane Mats In The World.

This document is stored and available in the Raptor Tech Technical Document Repository.

To help our customers understand certain critical data points that factor into purchasing crane mats, Raptor Tech maintains a repository of technical documents with data from all major crane manufacturers.

You can visit Raptor Tech's repository to get crane specifications and technical details for crane models in addition to this model at:

<https://library.steelcranemats.com>

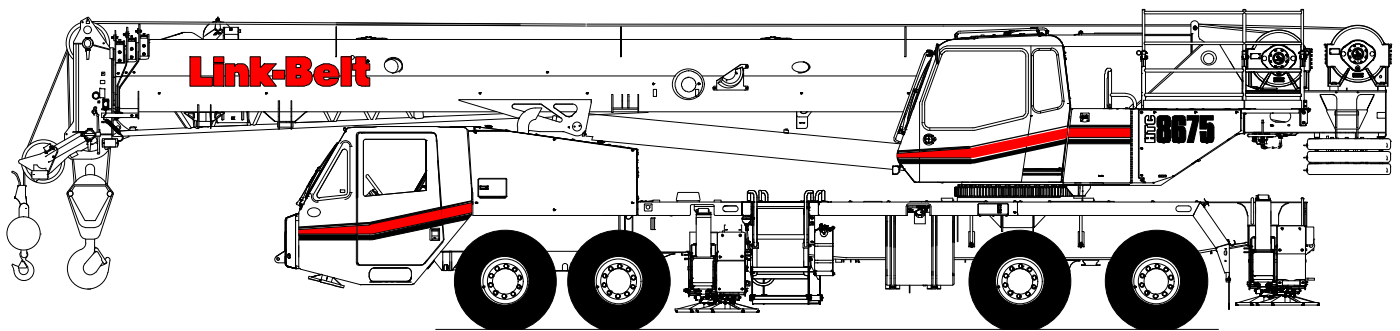
Thank You for Visiting the [SteelCraneMats.com](https://library.steelcranemats.com) Technical Specifications Document Repository.

Technical Data

Specifications & Capacities

HTC 8675

Series II
Telescopic Boom Truck Crane
75 US ton
70 metric ton



CAUTION: This material is supplied for reference use only. Operator must refer to in-cab Crane Rating Manual and Operator's Manual to determine allowable crane lifting capacities and assembly and operating procedures.

Table Of Contents

| | |
|--|-----------|
| Boom, Attachments, and Upper Structure | 1 |
| Boom | 1 |
| Boom Wear Pads | 1 |
| Boom Head | 1 |
| Boom Elevation | 1 |
| Auxiliary Lifting Sheave – Optional | 1 |
| Hook Blocks and Balls – Optional | 1 |
| Fly – Optional | 1 |
| Fly Extensions – Optional | 1 |
| Upper Operator’s Cab and Controls | 1 |
| Swing | 2 |
| Electrical | 2 |
| Load Hoist System | 3 |
| Load Hoist Performance | 3 |
| 2M Main and Optional Auxiliary Winches | 3 |
| Hydraulic System | 3 |
| Counterweight | 3 |
| Carrier | 5 |
| General | 5 |
| Outriggers | 5 |
| Steering and Axles | 5 |
| Suspension | 5 |
| Tires and Wheels | 5 |
| Brakes | 5 |
| Electrical | 5 |
| Engine | 5 |
| Transmission | 5 |
| Carrier Speeds and Gradeability | 6 |
| Fuel Tank | 6 |
| Hydraulic System | 6 |
| Pump Drive | 6 |
| Lower Cab and Controls | 7 |
| Additional Equipment | 7 |
| Axle Loads | 8 |
| Axle Loads with 2–Axle or 3–Axle Boom Dolly | 9 |
| General Dimensions | 10 |
| EPA 2013 | 10 |
| General Dimensions | 11 |
| Tier 3 / Stage IIIA | 11 |
| Working Range Diagram | 12 |

| | |
|---|-----------|
| Boom Extend Modes | 13 |
| Main Boom Lift Capacity Charts – Imperial B30.5 – Standard | 14 |
| 0 lb Counterweight – Fully Extended Outriggers – 360° Rotation | 14 |
| 0 lb Counterweight – On Tires – Stationary – Boom Centered Over Rear | 15 |
| 0 lb Counterweight – On Tires – Pick & Carry (1 mph) – Boom Centered Over Rear | 15 |
| 10,800 lb Counterweight – Fully Extended Outriggers – 360° Rotation | 16 |
| 10,800 lb Counterweight – On Tires – Stationary – Boom Centered Over Rear | 17 |
| 10,800 lb Counterweight – On Tires – Pick & Carry (1 mph) – Boom Centered Over Rear | 17 |
| Main Boom Lift Capacity Charts – Imperial B30.5 – Optional | 18 |
| 14,400 lb Counterweight – Fully Extended Outriggers – 360° Rotation | 18 |
| 14,400 lb Counterweight – On Tires – Stationary – Boom Centered Over Rear | 19 |
| 14,400 lb Counterweight – On Tires – Pick & Carry (1 mph) – Boom Centered Over Rear | 19 |
| 18,400 lb Counterweight – Fully Extended Outriggers – 360° Rotation | 20 |
| 18,400 lb Counterweight – On Tires – Stationary – Boom Centered Over Rear | 21 |
| 18,400 lb Counterweight – On Tires – Pick & Carry (1 mph) – Boom Centered Over Rear | 21 |
| Fly Attachment Lift Capacity Charts – Imperial B30.5 – Optional | 22 |
| 0 lb Counterweight – Fully Extended Outriggers – 360° Rotation | 22 |
| 98.7 ft Main Boom Length – 38 ft Offset Fly Length | 22 |
| 127 ft Main Boom Length – 38 ft Offset Fly Length | 23 |
| 10,800 lb Counterweight – Fully Extended Outriggers – 360° Rotation | 24 |
| 98.7 ft Main Boom Length | 24 |
| 127 ft Main Boom Length | 26 |
| 14,400 lb Counterweight – Fully Extended Outriggers – 360° Rotation | 28 |
| 98.7 ft Main Boom Length | 28 |
| 127 ft Main Boom Length | 30 |
| 18,400 lb Counterweight – Fully Extended Outriggers – 360° Rotation | 32 |
| 98.7 ft Main Boom Length | 32 |
| 127 ft Main Boom Length | 34 |
| Main Boom Lift Capacity Charts – Metric B30.5 – Standard | 36 |
| 0t Counterweight – Fully Extended Outriggers – 360° Rotation | 36 |
| 0t Counterweight – On Tires – Stationary – Boom Centered Over Rear | 37 |
| 0t Counterweight – On Tires – Pick & Carry (1 km/h) – Boom Centered Over Rear | 37 |
| 4.8t Counterweight – Fully Extended Outriggers – 360° Rotation | 38 |
| 4.8t Counterweight – On Tires – Stationary – Boom Centered Over Rear | 39 |
| 4.8t Counterweight – On Tires – Pick & Carry (1 km/h) – Boom Centered Over Rear | 39 |
| Main Boom Lift Capacity Charts – Metric B30.5 – Optional | 40 |
| 6.4t Counterweight – Fully Extended Outriggers – 360° Rotation | 40 |
| 6.4t Counterweight – On Tires – Stationary – Boom Centered Over Rear | 41 |
| 6.4t Counterweight – On Tires – Pick & Carry (1 km/h) – Boom Centered Over Rear | 41 |
| 8.2t Counterweight – Fully Extended Outriggers – 360° Rotation | 42 |
| 8.2t Counterweight – On Tires – Stationary – Boom Centered Over Rear | 43 |
| 8.2t Counterweight – On Tires – Pick & Carry (1 km/h) – Boom Centered Over Rear | 43 |
| Fly Attachment Lift Capacity Charts – Metric B30.5 – Optional | 44 |
| 0t Counterweight – Fully Extended Outriggers – 360° Rotation | 44 |
| 30.1m Main Boom Length – 11.58m Offset Fly Length | 44 |
| 38.71m Main Boom Length – 11.58m Offset Fly Length | 44 |
| 4.8t Counterweight – Fully Extended Outriggers – 360° Rotation | 45 |
| 30.1m Main Boom Length | 45 |
| 38.71m Main Boom Length | 46 |

| | |
|---|-----------|
| 6.4t Counterweight – Fully Extended Outriggers – 360° Rotation | 47 |
| 30.1m Main Boom Length | 47 |
| 38.71m Main Boom Length | 48 |
| 8.2t Counterweight – Fully Extended Outriggers – 360° Rotation | 49 |
| 30.1m Main Boom Length | 49 |
| 38.71m Main Boom Length | 50 |
| Main Boom Lift Capacity Charts – Metric ISO – Optional | 52 |
| 0t Counterweight – Fully Extended Outriggers – 360° Rotation | 52 |
| 0t Counterweight – On Tires – Stationary – Boom Centered Over Rear | 53 |
| 0t Counterweight – On Tires – Pick & Carry (1 km/h) – Boom Centered Over Rear | 53 |
| 4.8t Counterweight – Fully Extended Outriggers – 360° Rotation | 54 |
| 4.8t Counterweight – On Tires – Stationary – Boom Centered Over Rear | 55 |
| 4.8t Counterweight – On Tires – Pick & Carry (1 km/h) – Boom Centered Over Rear | 55 |
| Main Boom Lift Capacity Charts – Metric ISO – Optional | 56 |
| 6.4t Counterweight – Fully Extended Outriggers – 360° Rotation | 56 |
| 6.4t Counterweight – On Tires – Stationary – Boom Centered Over Rear | 57 |
| 6.4t Counterweight – On Tires – Pick & Carry (1 km/h) – Boom Centered Over Rear | 57 |
| 8.2t Counterweight – Fully Extended Outriggers – 360° Rotation | 58 |
| 8.2t Counterweight – On Tires – Stationary – Boom Centered Over Rear | 59 |
| 8.2t Counterweight – On Tires – Pick & Carry (1 km/h) – Boom Centered Over Rear | 59 |
| Fly Attachment Lift Capacity Charts – Metric ISO – Optional | 60 |
| 0t Counterweight – Fully Extended Outriggers – 360° Rotation | 60 |
| 30.1m Main Boom Length – 11.58m Offset Fly Length | 60 |
| 38.71m Main Boom Length – 11.58m Offset Fly Length | 60 |
| 4.8t Counterweight – Fully Extended Outriggers – 360° Rotation | 61 |
| 30.1m Main Boom Length | 61 |
| 38.71m Main Boom Length | 62 |
| 6.4t Counterweight – Fully Extended Outriggers – 360° Rotation | 63 |
| 30.1m Main Boom Length | 63 |
| 38.71m Main Boom Length | 64 |
| 8.2t Counterweight – Fully Extended Outriggers – 360° Rotation | 65 |
| 30.1m Main Boom Length | 65 |
| 38.71m Main Boom Length | 66 |

Boom, Attachments, and Upper Structure

■ Boom

Design — Four section, formed construction of extra high tensile steel consisting of one base section and three telescoping sections. The two plate design of each section has multiple longitudinal bends for superior strength. Each telescoping section extends independently by means of one double-acting, single stage hydraulic cylinder with integrated holding valves.

Boom

- 41–127 ft (12.5–38.71m) four section boom
- Integral boom dolly connection
- Four boom extend modes (EM1 through EM4), controlled from the operator's cab, provide superior capacities by varying the extension of the telescoping sections:
 - EM1 extends to 127.0 ft (38.71m)
 - EM2 extends to 113.1 ft (34.5m)
 - EM3 extends to 98.7 ft (30.1m)
 - EM4 extends to 76.0 ft (23.2m)
- Mechanical boom angle indicator
- Maximum tip height for each extend mode is:
 - EM1 is 136 ft (41.5m)
 - EM2 is 122 ft (37.3m)
 - EM3 is 108 ft (33.0m)
 - EM4 is 86 ft (26.2m)

Boom Wear Pads

- Wear pads with Teflon inserts that self-lubricate the boom sections
- Bottom wear pads are universal for all boom sections
- Top wear pads are universal for all boom sections

Boom Head

- Five 16.5 in (41.9cm) root diameter nylon sheaves to handle up to ten parts of line
- Easily removable wire rope guards
- Rope dead end lugs on each side of the boom head
- Boom head is designed for quick-reeve of the hook block

Boom Elevation

- One double acting hydraulic cylinder with integral holding valve
- Boom elevation: -3° to 80°

Auxiliary Lifting Sheave — Optional

- Single 16.5 in (41.9m) root diameter nylon sheave
- Easily removable wire rope guards
- Does not affect erection of the fly or use of the main head sheaves

Hook Blocks and Balls — Optional

- 40 ton (36.3mt) 4 sheave quick-reeve hook block with safety latch
- 60 ton (54.4mt) 4 sheave quick-reeve hook block with safety latch
- 75 ton (68.0mt) 5 sheave quick-reeve hook block with safety latch
- 8.5 ton (7.7mt) swivel and non-swivel hook balls with safety latch
- 10 ton (9.1mt) swivel and non-swivel hook balls with safety latch

Fly — Optional

- 38 ft (11.58m) one piece lattice fly, stowable, offsettable to 2° , 15° , 30° , and 45° . Maximum tip height is 173 ft (52.9m).
- 38 ft–64 ft (11.58–19.51m) two piece bi-fold lattice fly, stowable, offsettable to 2° , 15° , 30° , and 45° . Maximum tip height is 199 ft (60.6m).

Fly Extensions — Optional

- One 16 ft (4.88m) lattice extension, equipped with two 16.5 in (41.9cm) root diameter nylon sheaves, to be mounted between the boom head and fly options. Maximum tip height is 214 ft (65.4m). Minimum of 10,800 lb (4.8t) of counterweight required.
- Two 16 ft (4.88m) lattice extensions, one equipped with two 16.5 in (41.9cm) root diameter nylon sheaves, to be mounted between the boom head and fly options. Maximum tip height is 230 ft (70.2m). Minimum of 14,400 lb (6.4t) of counterweight required.

■ Upper Operator's Cab and Controls

Environmental Cab — Fully enclosed, one person cab of galvaneal steel structure with acoustical insulation.

Equipped with:

- Tinted and tempered glass windows
- Extra-large fixed front window with windshield wiper and washer
- Swing up roof window with windshield wiper
- Sliding left side door with large fixed window
- Sliding rear and right side windows for ventilation
- Six way adjustable, cushioned seat with seat belt and storage compartment
- Diesel fired warm-water heater with air ducts for front windshield defroster and cab floor
- Defroster fan for the front window
- Bubble level
- Circulating fan
- Adjustable sun visor
- LED Dome light
- Cup holder
- Fire extinguisher
- Left side viewing mirror
- Pull-out cabwalk
- Two position travel swing lock
- AM/FM Radio

Air Conditioning — Optional — Integral with cab heating system utilizing the same ventilation outlets

Engine Dependent Heater — Optional — Flameless, warm-water system that does not have a separate fuel tank

Armrest Controls — Two dual axis hydraulic joystick controllers or optional single axis hydraulic controllers for:

- Cab heater and A/C controls
- Swing
- Boom hoist
- Main rear winch
- Auxiliary front winch — optional
- Drum rotation indication
- Drum rotation indicator activation switch
- Swing park brake switch
- Winch high/low speed and disable switch(es)
- Warning horn button

Outrigger Controls – Hand held control box with umbilical cord gives the operator the freedom to view operation while setting the outriggers.

Foot Controls

- Boom telescope
- Swing brake
- Engine throttle

Right Front Console – Controls and indicators for:

- Engine ignition
- Engine throttle lock
- Pump enable
- Function disable
- Front windshield wiper and washer
- Cab floodlights
- Warning horn
- Console dimmer switch
- Bubble level
- 12 volt power connection
- Emergency engine shutdown
- Air conditioning – optional
- Boom floodlight – optional
- Rotating beacon or strobe light – optional
- Third wrap selector switch – optional

Camera Display – Located on dash console

- Displays right side of upper
- Displays main and auxiliary winches

Cab Instrumentation – Ergonomically positioned LCD display, CANBUS instrumentation for crane operation including:

- Tachometer
- Engine water temperature
- Fuel level
- Hydraulic oil temperature
- Stop engine
- Check engine
- Regeneration disabled light (EPA 2013 engine only)
- DPF regeneration light (EPA 2013 engine only)
- High exhaust temperature light (EPA 2013 engine only)
- Malfunction indicator lamp (EPA 2013 engine only)
- Engine air filter high restriction light
- Engine oil pressure
- Swing park brake light
- Battery voltage
- Fuel rate (gal/hr)
- Engine load
- Engine Diagnostics

Link-Belt Pulse – The Link-Belt in-house designed, total crane operating system that utilizes the display as a readout and operator interface for the following systems:

- **Rated capacity limiter** – LCD graphic audio – visual warning system integrated into the dash with anti – two block and function limiter. Operating data includes:
 - Crane configuration
 - Boom length and angle
 - Boom head height
 - Allowed load and % of allowed load
 - RCL light bar
 - Boom angle
 - Radius of load
 - Actual load
 - Wind speed
 - Highlighted unit of measurement on working screen
 - Active pin/latch status
 - Telescope operation displayed in real time
 - Third wrap indicator
 - Diagnostics
 - Operator settable alarms (include):
 - Maximum and minimum boom angles
 - Maximum tip height
 - Maximum boom length
 - Swing left/right positions
 - Operator defined area (imaginary plane)

- **Telematics** – Cellular–based data logging and monitoring system that provides:
 - Location and operational settings
 - Routine maintenance
 - Crane and engine monitoring
 - Diagnostic and fault codes
- **Extend control module (ECM)**
 - Controls the extend modes
 - Diagnostics

Integrated Third Wrap Indicator – Optional – Link–Belt Pulse color display visually and audibly warns the operator when the wire rope is on the first/bottom layer and when the wire rope is down to the last three wraps.

Integrated Third Wrap Function Kickout – Optional – Link–Belt Pulse color display visually and audibly warns the operator when the wire rope is on the first/bottom layer and provides a function kickout when the wire rope is down to the last three wraps.

Internal RCL Light Bar – Visually informs the operator when crane is approaching maximum load capacity with a series of green, yellow, and red lights.

External RCL Light Bar – Optional – Visually informs the ground crew when crane is approaching maximum load capacity with a series of green, yellow, and red lights.

■ Swing

Motor/Planetary – Bi–directional hydraulic swing motor mounted to a planetary reducer for 360° continuous smooth swing at 1.9 rpm.

Swing Park Brake – 360°, electric over hydraulic, (spring applied/hydraulic released) multi–disc brake mounted on the speed reducer. Operated by a switch from the operator’s cab.

Swing Brake – 360°, foot operated, hydraulic applied disc brake mounted to the speed reducer.

Swing Lock – Two–position swing lock (boom over front or rear) operated from the operator’s cab.

360° Positive Swing Lock – Optional – Meets New York City requirement.

■ Electrical

Swing Alarm – Audio warning device signals when the upper is swinging.

Lights

- Two LED working lights on front of the cab
- One LED working light on the top of the cab – optional
- One amber strobe beacon on top of the cab – optional
- Boom floodlight – Single – optional
- Boom floodlight – Dual – optional
- Boom floodlight – High intensity remote controlled – optional

Load Hoist System

Load Hoist Performance

| Main (Rear) and Auxiliary (Front) Winches – 3/4 in (19mm) Rope | | | | | | | | | | |
|--|-------------------|-------|-------------------|-------|-----------------|-------|-------|------|-------|-------|
| Layer | Maximum Line Pull | | Normal Line Speed | | High Line Speed | | Layer | | Total | |
| | lb | kN | ft/min | m/min | ft/min | m/min | ft | m | ft | m |
| 1 | 16,880 | 75.09 | 172 | 52.4 | 341 | 104.0 | 114 | 34.7 | 114 | 34.7 |
| 2 | 15,519 | 69.03 | 187 | 57.0 | 371 | 113.1 | 124 | 37.8 | 238 | 72.5 |
| 3 | 14,362 | 63.89 | 202 | 61.6 | 401 | 122.2 | 134 | 40.8 | 372 | 113.4 |
| 4 | 13,365 | 59.45 | 217 | 66.1 | 430 | 131.1 | 144 | 43.9 | 516 | 157.3 |
| 5 | 12,497 | 55.59 | 232 | 70.7 | 460 | 140.2 | 154 | 46.9 | 670 | 204.2 |
| 6 | ---- | ---- | ---- | ---- | ---- | ---- | 164 | 50.0 | 834 | 254.2 |

| Wire Rope Application | | Diameter | | Type | Maximum Permissible Load | |
|-------------------------|----------|----------|----|---|--------------------------|-------|
| | | in | mm | | lb | kN |
| Main (Rear) Winch | Standard | 3/4 | 19 | 37x7 non rotating – right lang lay (Type KC) | 16,000 | 71.17 |
| | Optional | 3/4 | 19 | 36x7 rotation resistant – right regular lay (Type ZB) | 15,600 | 69.39 |
| Auxiliary (Front) Winch | Standard | 3/4 | 19 | 37x7 non rotating – right lang lay (Type KC) | 16,000 | 71.17 |
| | Optional | 3/4 | 19 | 36x7 rotation resistant – right regular lay (Type ZB) | 15,600 | 69.39 |

2M Main and Optional Auxiliary Winches

- Axial piston, full and half displacement (2–speed) motors driven through planetary reduction unit for positive control under all load conditions.
- Grooved lagging
- Power up/down mode of operation
- Hoist drum cable follower – optional
- Drum rotation indicator
- Drum diameter: 16 in (40.6cm)
- Rope length:
 - Main: 670 ft (204.2m)
 - Auxiliary: 500 ft (152.4m) or 670 ft (204.2m)
- Maximum rope storage: 834 ft (254.2m)
- Terminator style socket and wedge

Hydraulic System

All circuits of the hydraulic system are pressure compensated.

Counterbalance Valves – All hoist motors, boom extend cylinders, and boom hoist cylinders are equipped with counterbalance valves to provide load lowering and to prevent accidental load drop if hydraulic power is suddenly reduced.

Hydraulic Oil Cooler – One carrier mounted cooler removes heat from the hydraulic oil. The cooler is mounted in left side access ladder.

Boom Hoist Float Valves (Optional) – For transporting the boom over the rear of the crane with a boom dolly. Allows hydraulic oil within the boom hoist cylinder to flow between piston side and case side, allowing the boom to float while on the boom dolly.

Swing Brake Release – For transporting the boom over the rear of the crane with a boom dolly. Holds the 360° swing park brake in the released position allowing free rotation of the upper structure.

Counterweight

Standard – Total of 10,800 lb (4.8t) of total counterweight consisting of three, hydraulically removable counterweights. Assembled and disassembled by hydraulic cylinders controlled from the left and right side of the upper structure with capacities for:

- 0 lb (0t) counterweight
- 3,600 lb (1.6t) counterweight
- 7,200 lb (3.2t) counterweight
- 10,800 lb (4.8t) counterweight

Optional – 3,600 lb (1.6t) in addition to standard counterweight for a total of 14,400 lb (6.4t) with additional capacities for:

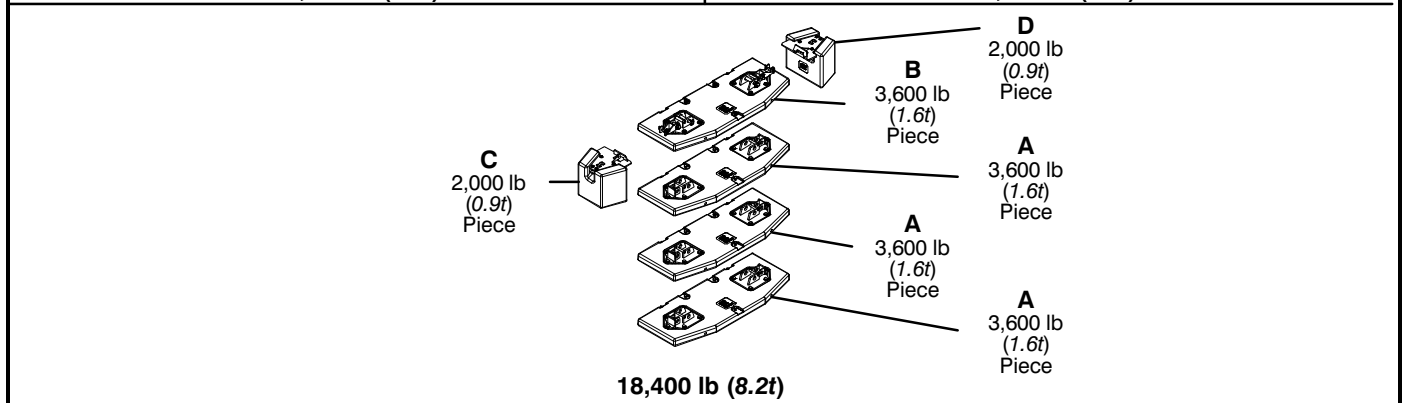
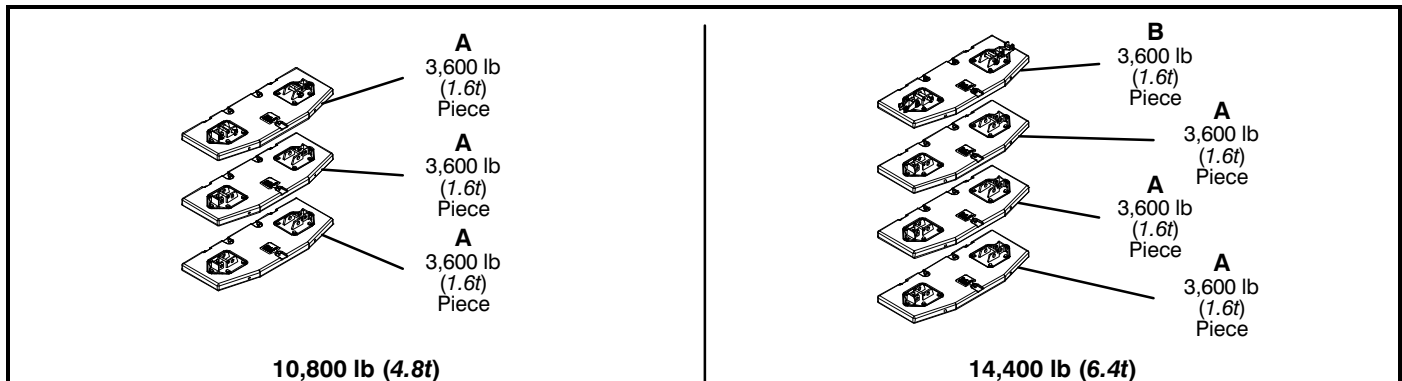
- 14,400 lb (6.4t) counterweight

Optional – 7,600 lb (3.4t) in addition to standard counterweight for a total of 18,400 lb (8.2t) with additional capacities for:

- 14,400 lb (6.4t) counterweight
- 18,400 lb (8.2t) counterweight*

Low speed jobsite travel is offered for these optional counterweight configurations and a boom dolly or boom trailer may be required for on–highway travel.

* Overall width of the crane increases to 10 ft 5 in (3.2m) for this counterweight configuration



| Counterweight Packages | | 10,800 lb (4.9t) – Standard | | | | | |
|------------------------------|-------------|----------------------------------|----------------------------------|----------------------------------|----------------------------------|----------------------------------|----------------------------------|
| | | 14,400 (6.4t) – Optional | | | | | |
| Counterweight Pieces | | 18,400 (8.2t) – Optional | | | | | |
| | | A 3,600 lb (1.6t) Piece | A 3,600 lb (1.6t) Piece | A 3,600 lb (1.6t) Piece | B 3,600 lb (1.6t) Piece | C 2,000 lb (0.9t) Piece | D 2,000 lb (0.9t) Piece |
| Counterweight Configurations | | 0 lb (0t) | | | | | |
| | A | 3,600 lb (1.6t) | X | | | | |
| | A,A | 7,200 lb (3.2t) | X | X | | | |
| | A,A,A | 10,800 lb (4.8t) | X | X | X | | |
| | A,A,A,B | 14,400 lb (6.4t) | X | X | X | X | |
| | A,A,A,B,C,D | 18,400 lb (8.2t) | X | X | X | X | X |

Carrier

General

- 8 ft 6 in (2.6m) wide
- 23 ft 10 in (7.26m) wheelbase (centerline of first axle to centerline of fourth axle)
- **Frame** — Box-type, torsion resistant, welded construction made of high tensile steel. Equipped with front and rear towing and tie-down lugs, tow connections, and access ladders.

Outriggers

Boxes — Two double box, front and rear welded to the carrier frame

Beams and Jacks — Four dual stage beams with Confined Area Lifting Capacities (CALC) provide selectable outrigger extensions of full, intermediate, and retracted positions. Jacks with integral check valves, hydraulically controlled from the operator's cab and on both sides of carrier. A fifth front bumper outrigger, with integral check valves is hydraulically controlled from the operator's cab and at the front bumper of carrier.

Pontoons

- **Main** — Four lightweight, stow'n go, 23.5" x 27.25" (59.7 x 69.2cm) hexagonal steel pontoons with a contact area of 485 in² (3 129cm²) can be stored for road travel in either the storage racks on the carrier or under the outrigger boxes
- **Front Bumper** — One, lightweight, self-storing, 16" (40.6cm) diameter steel pontoon with a contact area of 201 in² (1 296cm²)

Jack Reaction

- **Main** — 106,000 lb (471.5kN) force and 218 psi (1 503kPa) ground bearing pressure
- **Front Bumper** — 51,000 lb (226.9kN) force and 254 psi (1 751kPa) ground bearing pressure

Steering and Axles

- Sheppard full integral master gear/slave gear steering system provides hydraulic assisted steering with mechanical link between steering wheel and wheels
- **Drive** — 8 x 4 for on/off-highway travel
- **Axle 1 & 2** — Tandem steered, non-driven
- **Axle 3 & 4** — Tandem non-steered, driven with reduction: 5.38 to 1
- **Inter-Axle Differential Lock** — Traction adding device that locks axle 3 with axle 4. Operated by a switch from the carrier cab.

Suspension

Front — Raydan Air Link walking beam air suspension

Rear — Raydan Air Link walking beam air suspension

- **Axle Lift System — Optional** — Improves rear tire ground clearance when the crane is up on outriggers. The rear tandem axles are raised and lowered with a switch in the carrier cab. The axle lift system can be controlled with a switch on both sides of the carrier.

Tires and Wheels

Front — Four (single) 445/65R22.5 tires on aluminum disc wheels

Rear — Eight (dual) 12R22.5 tires on aluminum disc wheels

- Spare tires and wheels — optional
- Tire inflation kit — optional

Brakes

Service — Full air anti-lock (ABS) brakes on all wheel ends. Dual circuit compressed air system with air dryer.

Parking/Emergency — Spring loaded type, acting on 3rd and 4th axles automatically apply when air pressure drops below 40 psi (275.8kPa) in both circuits.

Electrical

Battery — Three batteries provide 12 volt starting and operation

Lights

- Front lighting includes two main daytime running headlights, two high beam lights, two parking/directional indicators, and three cab marker lights.
- Side lighting includes three parking/directional indicators per side.
- Rear lighting includes two parking/directional indicators, two parking/brake lights, two reverse lights, three marker lights, and a license plate light.
- Other equipment includes hazard/warning system, cab light, instrument panel light, and signal horn.
- One amber strobe beacon behind the cab.

Engine

| Specification | Cummins ISX12 | Cummins QSX15 |
|---|--|--|
| Emissions Compliance Level: | EPA 2013 (1) | Tier 3/Stage IIIA (2) |
| Maximum Allowable Sulfur Content of Fuel (PPM): | 15 | 5000 |
| Numbers of cylinders: | 6 | 6 |
| Cycle: | 4 | 4 |
| Bore and Stroke: inch (mm) | 5.11 x 5.91 (130x150) | 5.39 x 6.65 (137x169) |
| Piston Displacement: in ³ (L) | 729 (11.9) | 915 (15.0) |
| Max. Brake Horsepower: hp (kW) | 450 (336) @ 1,800 rpm 414 (309) @ 2,100 rpm | 480 (358.8) @ 1,800 rpm 450 (336) @ 2,100 rpm |
| Peak Torque: ft lb (Nm) | 1,550 (2 102) @ 1,200 rpm | 1,550 (2 102) @ 1,400 rpm |
| Alternator: volts — amps | 12 — 145 | 12 — 135 |
| Crankcase Capacity: qt (L) | 48 (45.4) | 48.0 (45.4) |

- Cruise control
- Cummins ISX12 — Three stage engine compression brake
- Cummins QSX15 — Two stage compression brake
- Thermostatically controlled, hydraulically driven radiator fan
- 120 volt engine block heater — ISX12
- 220 volt engine block heater — QSX15
- Engine equipped with on-board diagnostics — ISX
- Ether injection system — optional on ISX
- Grid heater starting aid standard on QSX
- (1) Can only be sold and/or operated where EPA2013 on-highway emission standards are accepted
- (2) Can only be sold and/or operated where Tier 3/Stage IIIA off-highway emission standards are accepted.

Transmission

Automated — ZF AS-TRONIC (no clutch pedal) manual transmission with 12 forward gears and 2 reverse gears.

Carrier Speeds and Gradeability

| ZF Astronic | | Governed Speed | | | | Gradeability (@ Peak Torque Except Creep @ Idle) | | |
|--------------|-----------|----------------|------|-------------------|------|--|-----------------------|------|
| | | EPA 2013 | | Tier 3/Stage IIIA | | % Grade | | |
| Gear | Ratio | mph | km/h | mph | km/h | EPA 2013 | Tier 3/ Stage IIIA | |
| | | | | | | 12th | 0.78 | 62.9 |
| 11th | 1.00 | 48.9 | 78.7 | 48.9 | 78.7 | 3.9 | 3.3 | |
| 10th | 1.27 | 38.6 | 62.1 | 38.6 | 62.1 | 5.0 | 4.6 | |
| 9th | 1.63 | 30.0 | 48.3 | 30.0 | 48.3 | 6.4 | 6.2 | |
| 8th | 2.10 | 23.3 | 37.5 | 23.3 | 37.4 | 8.3 | 8.3 | |
| 7th | 2.70 | 18.1 | 29.1 | 18.1 | 29.1 | 10.6 | 10.9 | |
| 6th | 3.55 | 13.8 | 22.2 | 13.8 | 22.1 | 14.0 | 14.6 | |
| 5th | 4.57 | 10.7 | 17.2 | 10.7 | 17.2 | 17.9 | 19.0 | |
| 4th | 5.78 | 8.5 | 13.7 | 8.5 | 13.6 | 22.7 | 24.3 | |
| 3rd | 7.44 | 6.6 | 10.6 | 6.6 | 10.6 | 29.2 | 31.4 | |
| 2nd | 9.59 | 5.1 | 8.2 | 5.1 | 8.2 | 37.7 | 40.7 | |
| 1st | 12.33 | 4.0 | 6.4 | 4.0 | 6.4 | 48.4 | 52.4 | |
| Reverse 1 | 11.41 | 4.3 | 6.9 | 4.3 | 6.9 | 44.9 | 48.5 | |
| Reverse 2 | 8.88 | 5.5 | 8.9 | 5.5 | 8.9 | 34.9 | 37.6 | |
| Creep @ idle | 2nd | 9.59 | 1.7 | 2.7 | 1.7 | 2.7 | 19.5 | 28.8 |
| | 1st | 12.33 | 1.3 | 2.1 | 1.3 | 2.1 | 25.0 | 37.2 |
| | Reverse 1 | 11.41 | 1.4 | 2.3 | 1.4 | 2.3 | 23.2 | 34.4 |
| | Reverse 2 | 8.88 | 1.8 | 3.0 | 1.8 | 3.0 | 18.0 | 26.6 |

Based on a gross vehicle weight of 95,000 lb (43 091.3kg)

Fuel Tank

- One 95 gal (359.6L) capacity tank
- One 10 gal (37.8L) capacity diesel exhaust fluid (DEF) plastic tank

Hydraulic System

All functions are hydraulically powered allowing positive, precise control with independent or simultaneous operation of all functions.

Main Pumps

- Three fixed displacement gear pumps with automatic disconnect for the main and auxiliary winches, swing, boom hoist, control circuit, and telescope for use when pick & carry switch is in travel mode.
- One fixed displacement gear pump for steering and the front bumper outrigger
- Two fixed displacement gear pumps for engine cooling fan and main outriggers. These pumps also provide flow to the winches and boom hoist for “pick & carry” mode. Operated by a switch in the carrier cab.
- Combined pump capacity of 188 gpm (711.7Lpm)

Hydraulic Reservoir – 144 gal (545.1L) capacity equipped with sight level gauge. Diffusers built in for deaeration.

Filtration – One 10 micron, full flow, return line filter. All oil is filtered prior to return to reservoir. Accessible for easy filter replacement.

Pump Drive

All pumps are mechanically driven by the diesel engine. Main and auxiliary winches, swing, boom hoist, control circuit, and telescope pumps are mounted to an automatic pump disconnect on the rear of the transmission to aid in cold weather starting as well as to reduce pump wear while traveling.

■ Lower Cab and Controls

Environmental Cab — Fully enclosed, one person cab of composite structure with acoustical insulation. Equipped with:

- Tinted and tempered glass windows
- Roll down left side window for ventilation
- Right side window
- Windshield wiper and washer
- Six way adjustable and air suspended driver's seat with seat belt
- Two adjustable rear view mirrors
- Engine dependent warm—water heater with air ducts for windshield defroster and cab floor
- Adjustable sun visor
- LED Dome light
- 12 volt connection
- Fire extinguisher

Air Conditioning — Integral with cab heating system utilizing the same ventilation outlets

Overhead Console — Located above the sun visor

- Document storage unit
- AM/FM Radio
- 12 volt accessory jack (switched)
- 12 volt accessory jack (unswitched)
- Strobe beacon switch

Camera Display — Located on dash console

- Displays right side of machine
- Displays rear view

Cab Instrumentation — Ergonomically positioned analog instrumentation for driving including:

- Speedometer with odometer, hourmeter, trip odometer, and clock
- Front and rear air pressure with warning indicator
- Engine coolant temperature with warning indicator
- Engine oil pressure with warning indicator
- Voltage indicator with warning indicator
- Fuel level
- Tachometer
- Diesel emission fluid with warning indicator (EPA 2013 engine only)

Right Side Console — Controls and indicators for:

- Transmission gear shifting
- Transmission digital readout
- Cruise controls
- Engine compression brake controls

Dash Mounted Controls For:

- Carrier lights
- Carrier/upper throttle control
- Engine cooling fan override
- Cab heater/air conditioning
- Console dimmer switch
- Anti—lock brake diagnostic switch
- Diesel particulate filter switch
- Park brake
- Pick & carry switch
- Inter—axle differential lock switch
- Engine ignition (EPA 2013 engine only)
- Rear axle lift system switch — optional

Dash Mounted Indicator For:

- Check, stop, and service engine
- Turn signal indication
- Park brake
- Cruise activation
- High beam headlights
- Check anti—lock brake system
- Check anti—lock trailer brake system
- Diesel particulate filter indication (EPA 2013 engine only)
- High exhaust temperature indication (EPA 2013 engine only)
- Regeneration inhibit (EPA 2013 engine only)
- Malfunction indicator lamp (EPA 2013 engine only)

Steering Column Controls For:

- Warning horn
- Turn indicators
- High beam headlights
- Steering wheel adjustments
- Intermittent windshield wiper and washer
- Hazard lights

Foot Controls For:

- Carrier service brakes
- Engine throttle

■ Additional Equipment

Standard:

- Aluminum full deck fenders with mud flaps
- Left and right bubble levels
- Air hose connection ports
- Clearance flags

Optional:

- Pneumatic and electrical quick disconnect connectors mounted on the rear for trailer or boom dolly brakes and lights
- Left side aluminum storage box
- Rear mounted pintle hook

Axle Loads

| Base crane with full tank of fuel and no counterweight | Gross Vehicle Weight ⁽¹⁾ | | Front Axles | | Rear Axles | |
|---|-------------------------------------|--------|-------------|--------|------------|--------|
| | lb | kg | lb | kg | lb | kg |
| | EPA 2013 | 74,786 | 33 922 | 35,134 | 15 937 | 39,652 |
| Tier 3/Stage IIIA | 74,452 | 33 771 | 34,833 | 15 800 | 39,600 | 17 962 |
| Driver in carrier cab | 250 | 113 | 315 | 143 | -65 | -29 |
| Rear pintle hook | 13 | 6 | -6 | -3 | 19 | 8 |
| Pneumatic and electrical connectors for trailer or boom dolly | 11 | 5 | -2 | -1 | 13 | 6 |
| Carrier aluminum storage box | 60 | 27 | 28 | 13 | 32 | 14 |
| Air ride lift system – rear axles | 47 | 21 | 0 | 0 | 47 | 21 |
| Ether injection | 5 | 2 | 6 | 3 | -1 | -1 |
| Hoist drum follower – main | 76 | 34 | -43 | -19 | 119 | 54 |
| Auxiliary winch with 500 ft (152.4m) of 3/4" (19mm) type "RB" rope | 652 | 296 | -238 | -108 | 890 | 404 |
| Hoist drum follower – auxiliary | 76 | 34 | -32 | -14 | 108 | 49 |
| Substitute 500 ft (152.4m) of rope with 670 ft (204.2m) of rope – auxiliary | 213 | 97 | -77 | -35 | 290 | 132 |
| Remove 670 ft (204.2m) of rope from rear (main) winch | -856 | -388 | 439 | 199 | -1,295 | -587 |
| Remove 500 ft (152.4m) of rope from front (auxiliary) winch | -643 | -292 | 233 | 106 | -876 | -397 |
| Air conditioner – operator's cab | 217 | 98 | -15 | -7 | 232 | 105 |
| 360° mechanical swing lock | 140 | 64 | 21 | 9 | 119 | 54 |
| 3,600 lb (1.6t) counterweight on upper – 1 piece | 3,652 | 1 657 | -1,796 | -815 | 5,448 | 2 471 |
| 7,200 lb (3.2t) counterweight on upper – 2 pieces | 7,304 | 3 313 | -3,593 | -1 630 | 10,897 | 4 943 |
| 10,800 lb (4.8t) counterweight on upper – 3 pieces | 10,956 | 4 970 | -5,389 | -2 444 | 16,345 | 7 414 |
| 14,400 lb (6.4t) counterweight on upper – 4 pieces | 14,608 | 6 626 | -7,185 | -3 259 | 21,793 | 9 885 |
| Floodlight to the front of boom base section | 9 | 4 | 10 | 4 | -1 | 0 |
| Fly mounting brackets to boom base section for fly options | 176 | 80 | 136 | 62 | 40 | 18 |
| 38 ft (11.58m) offsettable fly – stowed | 1,671 | 758 | 1,758 | 798 | -87 | -40 |
| 38–64 ft (11.58–19.51m) offsettable fly – stowed | 2,413 | 1 095 | 2,191 | 994 | 222 | 101 |
| Auxiliary lifting sheave | 110 | 50 | 217 | 99 | -107 | -49 |
| 40 ton (36.3mt) 4–sheave hook block at boom head | 900 | 408 | 1,707 | 774 | -807 | -366 |
| 60 ton (54.4mt) 4–sheave hook block at boom head | 1,109 | 503 | 2,103 | 954 | -994 | -451 |
| 75 ton (68.0mt) 5–sheave hook block at boom head | 1,406 | 638 | 2,667 | 1 210 | -1,261 | -572 |
| 8.5 ton (7.7mt) hook ball at boom head | 360 | 163 | 683 | 310 | -323 | -146 |
| 10 ton (9.1mt) hook ball at boom head | 550 | 249 | 1,043 | 473 | -493 | -224 |

| Counterweight Load Transfer | Front Axles | | Rear Axles | |
|--|-------------|---------|------------|----------|
| | lb | kg | lb | kg |
| Transfer 3,600 lb (1.6t) counterweight to carrier deck – 1 piece | 4,573 | 2 074.3 | -4,573 | -2 074.3 |
| Transfer 7,200 lb (3.2t) counterweight to carrier deck – 2 pieces | 9,145 | 4 148.1 | -9,145 | -4 148.1 |
| Transfer 10,800 lb (4.8t) counterweight to carrier deck – 3 pieces | 13,718 | 6 222.4 | -13,718 | -6 222.4 |

| Axle | Maximum Load @ 65 mph (105km/h) |
|-------|--|
| Front | 46,400 lb (21 047kg) – aluminum disc wheels with 445/65R22.5 tires |
| Rear | 52,000 lb (23 587kg) – aluminum disc wheels with 12R22.5 tires |

(1) Adjust gross vehicle weight and axle loading according to component weight. All weights are ±3%.

Axle Loads with 2–Axle or 3–Axle Boom Dolly

| Base crane with full tank of fuel and no counterweight | Gross Vehicle Weight ⁽¹⁾ | | Front Axles | | Rear Axles | | Dolly Axles | |
|---|-------------------------------------|--------|-------------|--------|------------|--------|-------------|--------|
| | lb | kg | lb | kg | lb | kg | lb | kg |
| | EPA 2013 | 74,786 | 33 922 | 28,731 | 13 032 | 32,743 | 14 852 | 13,312 |
| Tier 3/Stage IIIA | 74,452 | 33 771 | 28,429 | 12 895 | 32,711 | 14 837 | 13,492 | 6 120 |
| Nelson 2–axle dolly | 6,000 | 2 721 | 0 | 0 | 0 | 0 | 6,000 | 2 721 |
| Nelson 3–axle dolly | 7,160 | 3 248 | 0 | 0 | 0 | 0 | 7,160 | 3 248 |
| Driver in carrier cab | 250 | 113 | 315 | 143 | –65 | –29 | 0 | 0 |
| Rear pintle hook | 13 | 6 | –6 | –3 | 19 | 8 | 0 | 0 |
| Pneumatic and electrical connectors for trailer or boom dolly | 11 | 5 | –2 | –1 | 13 | 6 | 0 | 0 |
| Carrier aluminum storage box | 60 | 27 | 28 | 13 | 32 | 14 | 0 | 0 |
| Air ride lift system – rear axles | 47 | 21 | 0 | 0 | 47 | 21 | 0 | 0 |
| Ether injection | 5 | 2 | 6 | 3 | –1 | –1 | 0 | 0 |
| Hoist drum follower – main | 76 | 34 | 63 | 29 | 13 | 6 | 0 | 0 |
| Auxiliary winch with 500 ft (152.4m) of 3/4" (19mm) type "RB" rope | 652 | 296 | 414 | 188 | 238 | 108 | 0 | 0 |
| Hoist drum follower – auxiliary | 76 | 34 | 52 | 24 | 24 | 11 | 0 | 0 |
| Substitute 500 ft (152.4m) of rope with 670 ft (204.2m) of rope – auxiliary | 213 | 97 | 134 | 61 | 79 | 36 | 0 | 0 |
| Remove 670 ft (204.2m) of rope from rear (main) winch | –856 | –388 | –669 | –303 | –187 | –85 | 0 | 0 |
| Remove 500 ft (152.4m) of rope from front (auxiliary) winch | –643 | –292 | –406 | –184 | –237 | –108 | 0 | 0 |
| Air conditioner – operator's cab | 217 | 98 | 73 | 33 | 144 | 65 | 0 | 0 |
| 360° mechanical swing lock | 140 | 64 | 17 | 8 | 123 | 56 | 0 | 0 |
| 3,600 lb (1.6t) counterweight on upper – 1 piece | 3,652 | 1 657 | 2,776 | 1 259 | 876 | 397 | 0 | 0 |
| 7,200 lb (3.2t) counterweight on upper – 2 pieces | 7,304 | 3 313 | 5,553 | 2 519 | 1,751 | 794 | 0 | 0 |
| 10,800 lb (4.8t) counterweight on upper – 3 pieces | 10,956 | 4 970 | 8,329 | 3 778 | 2,627 | 1 192 | 0 | 0 |
| 14,400 lb (6.4t) counterweight on upper – 4 pieces | 14,608 | 6 626 | 11,106 | 5 038 | 3,502 | 1 589 | 0 | 0 |
| Floodlight to the front of boom base section | 9 | 4 | 1 | 1 | 1 | 1 | 7 | 3 |
| Fly mounting brackets to boom base section for fly options | 176 | 80 | 30 | 14 | 30 | 14 | 116 | 53 |
| 38 ft (11.58m) offsettable fly – stowed | 1,671 | 758 | 130 | 59 | 131 | 59 | 1,410 | 640 |
| 38–64 ft (11.58–19.51m) offsettable fly – stowed | 2,413 | 1 095 | 302 | 137 | 305 | 138 | 1,806 | 819 |
| Two 16 ft (4.88m) lattice inserts (stowed on 3–axle boom dolly) | 3,168 | 1 437 | 0 | 0 | 0 | 0 | 3,168 | 1 437 |
| Auxiliary lifting sheave | 110 | 50 | –25 | –11 | –25 | –11 | 160 | 73 |
| 40 ton (36.3mt) 4–sheave hook block at boom head | 900 | 408 | –179 | –81 | –180 | –82 | 1,259 | 571 |
| 60 ton (54.4mt) 4–sheave hook block at boom head | 1,109 | 503 | –220 | –100 | –222 | –101 | 1,552 | 704 |
| 75 ton (68.0mt) 5–sheave hook block at boom head | 1,406 | 638 | –279 | –127 | –282 | –128 | 1,967 | 892 |
| 8.5 ton (7.7mt) hook ball at boom head | 360 | 163 | –72 | –33 | –72 | –33 | 504 | 229 |
| 10 ton (9.1mt) hook ball at boom head | 550 | 249 | –109 | –49 | –110 | –50 | 770 | 349 |

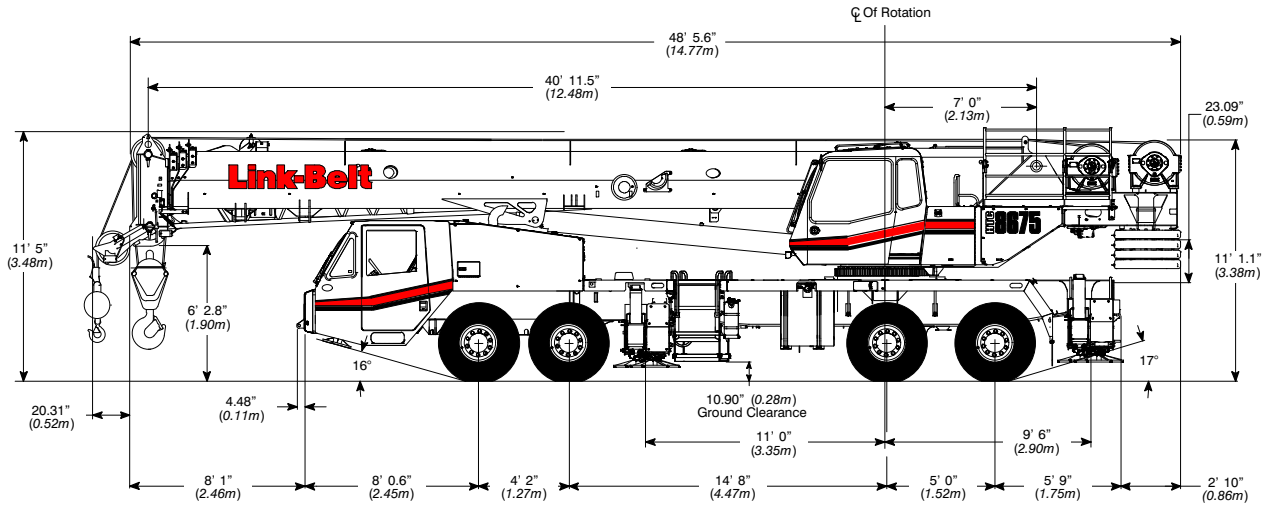
| Counterweight Load Transfer | Front Axles | | Rear Axles | | Dolly Axles | |
|---|-------------|--------|------------|--------|-------------|-------|
| | lb | kg | lb | kg | lb | kg |
| Transfer 3,600 lb (1.6t) counterweight to boom dolly | –2,776 | –1 259 | –876 | –397 | 3,652 | 1 657 |
| Transfer 7,200 lb (3.2t) counterweight to boom dolly | –5,553 | –2 519 | –1,751 | –794 | 7,304 | 3 313 |
| Transfer 10,800 lb (4.8t) counterweight to boom dolly | –8,329 | –3 778 | –2,627 | –1 192 | 10,956 | 4 970 |
| Transfer 14,400 lb (6.4t) counterweight to boom dolly | –11,106 | –5 038 | –3,502 | –1 589 | 14,608 | 6 626 |

| Axle | Maximum Load @ 65 mph (105km/h) |
|-------|--|
| Front | 46,400 lb (21 047kg) – aluminum disc wheels with 445/65R22.5 tires |
| Rear | 52,000 lb (23 587kg) – aluminum disc wheels with 12R22.5 tires |

⁽¹⁾ Adjust gross vehicle weight and axle loading according to component weight. All weights are ±3%.

General Dimensions

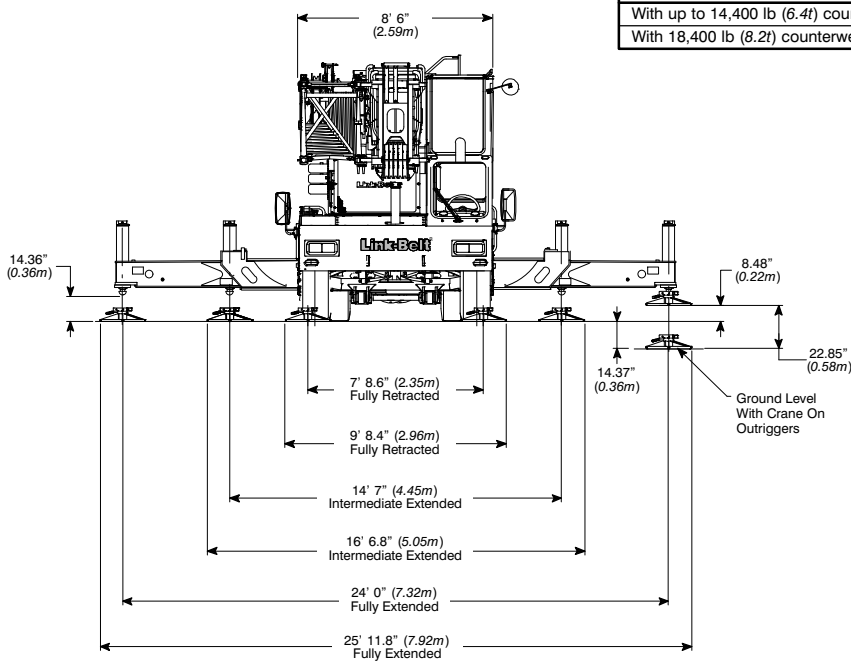
EPA 2013



| Turning Radius | English | Metric |
|-----------------------------------|---------|--------|
| Wall to wall over carrier | 48' 4" | 14.7m |
| Wall to wall over boom | 52' 2" | 15.9m |
| Wall to wall over boom attachment | 53' 1" | 16.2m |
| Curb to curb | 44' 1" | 13.4m |
| Centerline of tire | 43' 4" | 13.2m |

| Tail Swing | English | Metric |
|--------------------|---------|--------|
| With counterweight | 13' 9" | 4.2m |

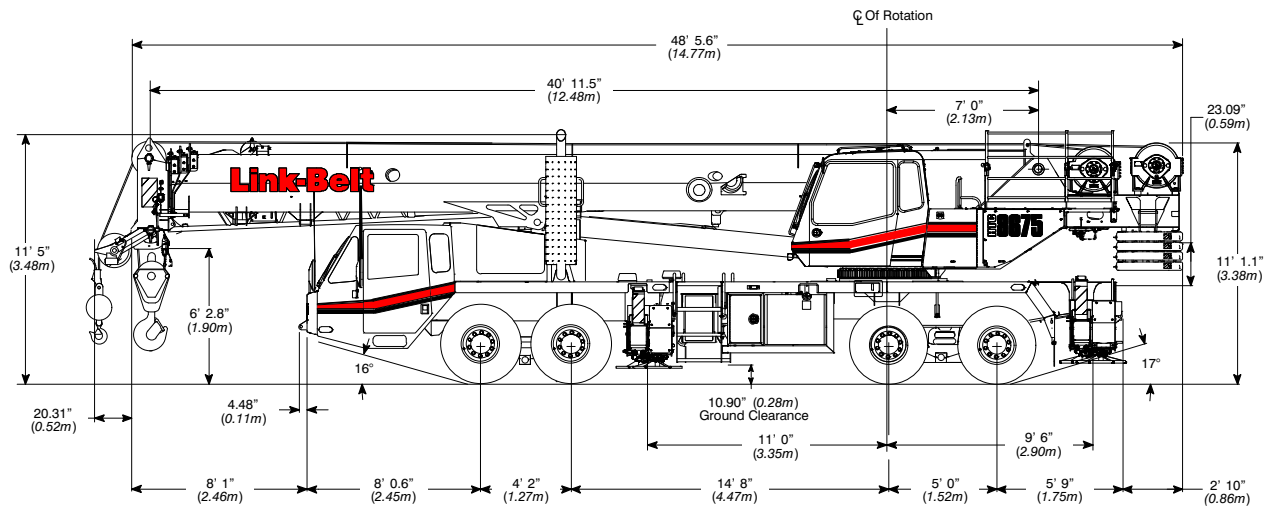
| Overall Width | English | Metric |
|---|---------|--------|
| With up to 14,400 lb (6.4t) counterweight | 8' 6" | 2.6m |
| With 18,400 lb (8.2t) counterweight | 10' 4" | 3.1m |



Not To Scale

General Dimensions

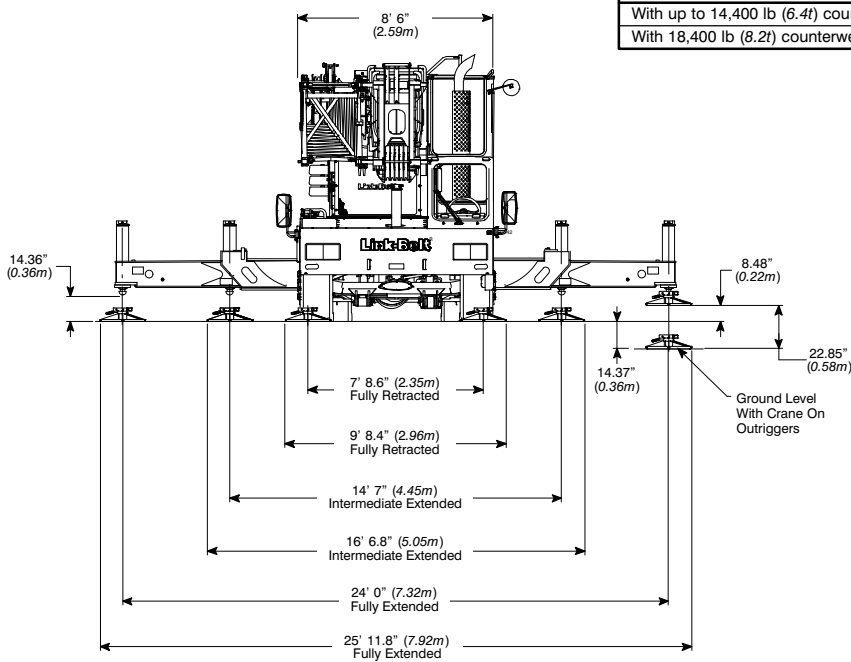
Tier 3 / Stage IIIA



| Turning Radius | English | Metric |
|-----------------------------------|---------|--------|
| Wall to wall over carrier | 48' 4" | 14.7m |
| Wall to wall over boom | 52' 2" | 15.9m |
| Wall to wall over boom attachment | 53' 1" | 16.2m |
| Curb to curb | 44' 1" | 13.4m |
| Centerline of tire | 43' 4" | 13.2m |

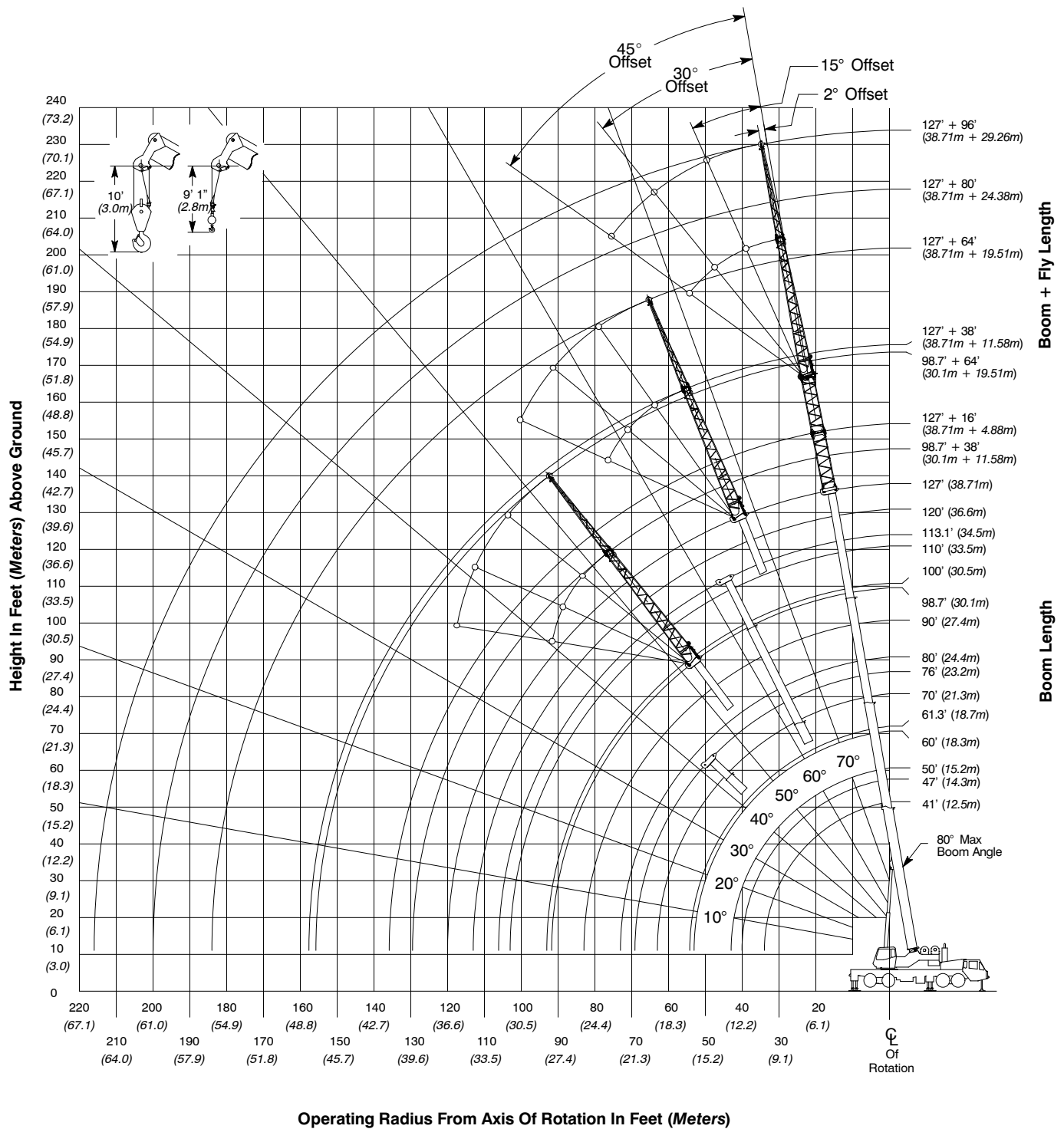
| Tail Swing | English | Metric |
|--------------------|---------|--------|
| With counterweight | 13' 9" | 4.2m |

| Overall Width | English | Metric |
|---|---------|--------|
| With up to 14,400 lb (6.4t) counterweight | 8' 6" | 2.6m |
| With 18,400 lb (8.2t) counterweight | 10' 4" | 3.1m |



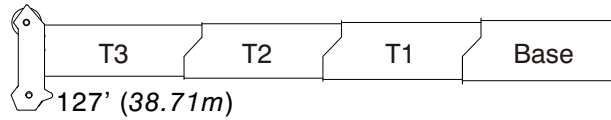
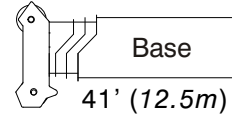
Not To Scale

Working Range Diagram

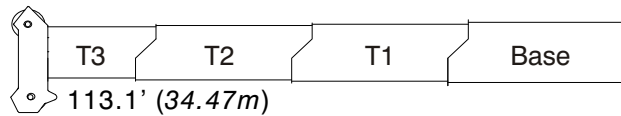
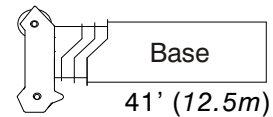


Boom Extend Modes

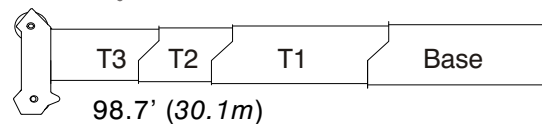
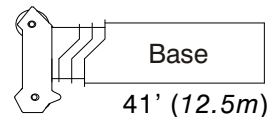
| Boom Length | | Section Length | | |
|-------------|-------|----------------|------|------|
| ft | m | T3 | T2 | T1 |
| 50 | 15.2 | 32% | | |
| 60 | 18.3 | 68% | | |
| 70 | 21.3 | 100% | 4% | |
| 80 | 24.4 | 100% | 39% | |
| 90 | 27.4 | 100% | 74% | |
| 100 | 30.5 | 100% | 100% | 8% |
| 110 | 33.5 | 100% | 100% | 42% |
| 120 | 36.6 | 100% | 100% | 76% |
| 127 | 38.71 | 100% | 100% | 100% |



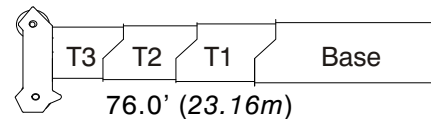
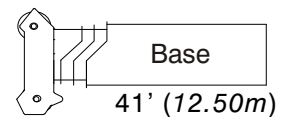
| Boom Length | | Section Length | | |
|-------------|------|----------------|------|------|
| ft | m | T3 | T2 | T1 |
| 50 | 15.2 | 32% | | |
| 60 | 18.3 | 50% | 18% | |
| 70 | 21.3 | 50% | 53% | |
| 80 | 24.4 | 50% | 87% | |
| 90 | 27.4 | 50% | 100% | 22% |
| 100 | 30.5 | 50% | 100% | 56% |
| 113.1 | 34.5 | 50% | 100% | 100% |



| Boom Length | | Section Length | | |
|-------------|------|----------------|-----|------|
| ft | m | T3 | T2 | T1 |
| 50 | 15.2 | 32% | | |
| 60 | 18.3 | 50% | 18% | |
| 70 | 21.3 | 50% | 50% | 3% |
| 80 | 24.4 | 50% | 50% | 37% |
| 90 | 27.4 | 50% | 50% | 71% |
| 98.7 | 30.1 | 50% | 50% | 100% |



| Boom Length | | Section Length | | |
|-------------|------|----------------|-----|-----|
| ft | m | T3 | T2 | T1 |
| 47 | 14.3 | 22% | | |
| 61.3 | 18.7 | 22% | 50% | |
| 76 | 23.2 | 22% | 50% | 50% |



Main Boom Lift Capacity Charts – Imperial B30.5 – Standard

| 0 lb Counterweight – Fully Extended Outriggers – 360° Rotation (All Capacities Are Listed In Pounds) | | | | | | | | | | | | |
|---|------------------|---------|---------|--------|--------|--------|--------|--------|--------|--------|----------------|-----|
| Radius (ft) | Boom Length (ft) | | | | | | | | | | Radius (ft) | |
| | 41 | 50 | 60 | 70 | 80 | 90 | 100 | 110 | 120 | 127 | | |
| 10 | 124,900 | 110,700 | 106,900 | 74,400 | | | | | | | | 10 |
| 12 | 102,600 | 103,900 | 104,800 | 81,000 | 62,800 | | | | | | | 12 |
| 15 | 79,900 | 81,300 | 82,500 | 77,400 | 62,800 | 61,400 | | | | | | 15 |
| 20 | 57,100 | 59,100 | 59,800 | 60,700 | 60,400 | 57,100 | 47,900 | 29,100 | | | | 20 |
| 25 | 43,300 | 45,300 | 46,400 | 46,900 | 46,700 | 46,500 | 42,500 | 32,800 | 25,500 | 22,600 | | 25 |
| 30 | 30,600 | 33,100 | 34,600 | 34,800 | 35,100 | 34,300 | 34,800 | 32,100 | 25,500 | 22,600 | | 30 |
| 35 | | 24,600 | 26,100 | 26,300 | 27,400 | 27,700 | 26,400 | 26,600 | 25,500 | 22,600 | | 35 |
| 40 | | 18,600 | 20,200 | 21,100 | 21,400 | 21,600 | 21,700 | 21,400 | 21,100 | 20,900 | | 40 |
| 45 | | | 16,000 | 16,900 | 17,200 | 17,400 | 17,400 | 17,100 | 16,900 | 16,700 | | 45 |
| 50 | | | 12,800 | 13,800 | 14,100 | 14,200 | 14,300 | 14,000 | 13,700 | 13,600 | | 50 |
| 55 | | | | 11,400 | 11,700 | 11,900 | 12,000 | 11,700 | 11,500 | 11,300 | | 55 |
| 60 | | | | 9,500 | 9,800 | 10,000 | 10,100 | 9,800 | 9,600 | 9,500 | | 60 |
| 65 | | | | 6,400 | 8,300 | 8,500 | 8,500 | 8,300 | 8,000 | 7,900 | | 65 |
| 70 | | | | | 6,900 | 7,200 | 7,200 | 7,000 | 6,800 | 6,600 | | 70 |
| 75 | | | | | | 6,100 | 6,200 | 5,900 | 5,700 | 5,600 | | 75 |
| 80 | | | | | | 5,100 | 5,200 | 5,000 | 4,800 | 4,700 | | 80 |
| 85 | | | | | | | 4,400 | 4,200 | 4,000 | 3,900 | | 85 |
| 90 | | | | | | | 3,700 | 3,500 | 3,300 | 3,200 | | 90 |
| 95 | | | | | | | | 2,900 | 2,700 | 2,600 | | 95 |
| 100 | | | | | | | | 2,300 | 2,200 | 2,100 | | 100 |
| 105 | | | | | | | | 1,000 | 1,700 | 1,600 | | 105 |
| 110 | | | | | | | | | 1,300 | 1,200 | | 110 |
| 115 | | | | | | | | | | 800 | | 115 |

This information is not for crane operation. Operator must refer to the in-cab information for crane operation. Rated lifting capacities shown on fully extended outriggers do not exceed 85% of the tipping loads and on tires do not exceed 75% of the tipping loads.

0 lb Counterweight – On Tires – Stationary – Boom Centered Over Rear
(All Capacities Are Listed In Pounds)

| Radius (ft) | Boom Length (ft) | | | | | | Radius (ft) |
|-------------|------------------|--------|--------|--------|--------|--------|-------------|
| | 41 | 50 | 60 | 70 | 80 | 90 | |
| 10 | 33,800 | | | | | | 10 |
| 12 | 30,600 | 31,500 | 26,500 | | | | 12 |
| 15 | 23,500 | 25,400 | 26,500 | 20,300 | | | 15 |
| 20 | 14,100 | 15,900 | 17,200 | 17,900 | 16,600 | | 20 |
| 25 | 8,900 | 10,600 | 11,800 | 12,700 | 12,800 | 13,000 | 25 |
| 30 | 5,500 | 7,200 | 8,400 | 9,200 | 9,500 | 9,700 | 30 |
| 35 | | 4,800 | 6,000 | 6,800 | 7,100 | 7,300 | 35 |
| 40 | | 3,100 | 4,300 | 5,000 | 5,300 | 5,500 | 40 |
| 45 | | | 2,900 | 3,700 | 3,900 | 4,100 | 45 |
| 50 | | | 1,900 | 2,600 | 2,900 | 3,100 | 50 |
| 55 | | | | 1,700 | 2,000 | 2,200 | 55 |
| 60 | | | | 1,000 | 1,300 | 1,500 | 60 |

0 lb Counterweight – On Tires – Pick & Carry (1 mph) – Boom Centered Over Rear
(All Capacities Are Listed In Pounds)

| Radius (ft) | Boom Length (ft) | | | | | | Radius (ft) |
|-------------|------------------|--------|--------|--------|--------|--------|-------------|
| | 41 | 50 | 60 | 70 | 80 | 90 | |
| 10 | 23,900 | | | | | | 10 |
| 12 | 21,300 | 22,200 | 22,900 | | | | 12 |
| 15 | 18,100 | 19,100 | 19,900 | 20,300 | | | 15 |
| 20 | 14,000 | 15,100 | 15,900 | 16,400 | 16,600 | | 20 |
| 25 | 8,900 | 10,600 | 11,800 | 12,700 | 12,800 | 13,000 | 25 |
| 30 | 5,500 | 7,200 | 8,400 | 9,200 | 9,500 | 9,700 | 30 |
| 35 | | 4,800 | 6,000 | 6,800 | 7,100 | 7,300 | 35 |
| 40 | | 3,100 | 4,300 | 5,000 | 5,300 | 5,500 | 40 |
| 45 | | | 2,900 | 3,700 | 3,900 | 4,100 | 45 |
| 50 | | | 1,900 | 2,600 | 2,900 | 3,100 | 50 |
| 55 | | | | 1,700 | 2,000 | 2,200 | 55 |
| 60 | | | | 1,000 | 1,300 | 1,500 | 60 |

This information is not for crane operation. Operator must refer to the in-cab information for crane operation. Rated lifting capacities shown on fully extended outriggers do not exceed 85% of the tipping loads and on tires do not exceed 75% of the tipping loads.

10,800 lb Counterweight – Fully Extended Outriggers – 360° Rotation
 (All Capacities Are Listed In Pounds)

| Radius (ft) | Boom Length (ft) | | | | | | | | | | Radius (ft) |
|----------------|------------------|---------|---------|--------|--------|--------|--------|--------|--------|--------|----------------|
| | 41 | 50 | 60 | 70 | 80 | 90 | 100 | 110 | 120 | 127 | |
| 10 | 137,100** | 110,700 | 106,900 | 74,400 | | | | | | | 10 |
| 12 | 113,100 | 105,000 | 106,900 | 81,000 | 62,800 | | | | | | 12 |
| 15 | 88,500 | 89,900 | 90,900 | 77,400 | 62,800 | 61,400 | | | | | 15 |
| 20 | 63,600 | 65,500 | 66,100 | 66,000 | 62,800 | 57,100 | 47,900 | 29,100 | | | 20 |
| 25 | 48,500 | 50,400 | 51,400 | 52,000 | 51,700 | 49,900 | 42,500 | 32,800 | 25,500 | 22,600 | 25 |
| 30 | 38,300 | 40,300 | 41,400 | 41,900 | 41,700 | 41,600 | 38,100 | 32,100 | 25,500 | 22,600 | 30 |
| 35 | | 32,700 | 33,900 | 34,400 | 34,100 | 33,900 | 33,800 | 29,200 | 25,500 | 22,600 | 35 |
| 40 | | 25,800 | 27,400 | 27,600 | 27,900 | 27,800 | 27,600 | 26,700 | 25,000 | 22,600 | 40 |
| 45 | | | 22,400 | 22,700 | 23,200 | 23,100 | 22,800 | 22,500 | 23,200 | 22,600 | 45 |
| 50 | | | 18,600 | 19,600 | 19,900 | 20,100 | 19,700 | 19,800 | 19,600 | 19,500 | 50 |
| 55 | | | | 16,600 | 16,900 | 17,000 | 17,100 | 16,800 | 16,600 | 16,400 | 55 |
| 60 | | | | 14,100 | 14,400 | 14,600 | 14,600 | 14,400 | 14,100 | 14,000 | 60 |
| 65 | | | | 10,600 | 12,500 | 12,700 | 12,700 | 12,500 | 12,300 | 12,100 | 65 |
| 70 | | | | | 10,800 | 11,100 | 11,100 | 10,800 | 10,600 | 10,500 | 70 |
| 75 | | | | | | 9,600 | 9,700 | 9,500 | 9,300 | 9,100 | 75 |
| 80 | | | | | | 8,400 | 8,500 | 8,300 | 8,100 | 8,000 | 80 |
| 85 | | | | | | | 7,500 | 7,300 | 7,100 | 7,000 | 85 |
| 90 | | | | | | | 6,600 | 6,400 | 6,200 | 6,100 | 90 |
| 95 | | | | | | | | 5,600 | 5,400 | 5,300 | 95 |
| 100 | | | | | | | | 4,900 | 4,700 | 4,600 | 100 |
| 105 | | | | | | | | 3,400 | 4,100 | 4,000 | 105 |
| 110 | | | | | | | | | 3,500 | 3,400 | 110 |
| 115 | | | | | | | | | | 2,900 | 115 |

** Requires special equipment

This information is not for crane operation. Operator must refer to the in-cab information for crane operation. Rated lifting capacities shown on fully extended outriggers do not exceed 85% of the tipping loads and on tires do not exceed 75% of the tipping loads.

| 10,800 lb Counterweight – On Tires – Stationary – Boom Centered Over Rear (All Capacities Are Listed In Pounds) | | | | | | | |
|---|------------------|--------|--------|--------|--------|--------|----------------|
| Radius (ft) | Boom Length (ft) | | | | | | Radius (ft) |
| | 41 | 50 | 60 | 70 | 80 | 90 | |
| 10 | 33,700 | | | | | | 10 |
| 12 | 30,500 | 31,400 | 32,000 | | | | 12 |
| 15 | 26,500 | 27,500 | 28,100 | 23,600 | | | 15 |
| 20 | 20,800 | 22,300 | 23,100 | 23,600 | 18,000 | | 20 |
| 25 | 14,100 | 15,800 | 17,000 | 17,800 | 18,000 | 13,900 | 25 |
| 30 | 9,800 | 11,500 | 12,700 | 13,400 | 13,700 | 13,900 | 30 |
| 35 | | 8,500 | 9,600 | 10,400 | 10,700 | 10,900 | 35 |
| 40 | | 6,200 | 7,400 | 8,200 | 8,400 | 8,600 | 40 |
| 45 | | | 5,700 | 6,400 | 6,700 | 6,900 | 45 |
| 50 | | | 4,300 | 5,100 | 5,300 | 5,500 | 50 |
| 55 | | | | 4,000 | 4,200 | 4,400 | 55 |
| 60 | | | | 3,100 | 3,300 | 3,500 | 60 |
| 65 | | | | | 2,600 | 2,800 | 65 |
| 70 | | | | | 1,900 | 2,100 | 70 |
| 75 | | | | | | 1,600 | 75 |
| 80 | | | | | | 1,100 | 80 |

| 10,800 lb Counterweight – On Tires – Pick & Carry (1 mph) – Boom Centered Over Rear (All Capacities Are Listed In Pounds) | | | | | | | |
|---|------------------|--------|--------|--------|--------|--------|----------------|
| Radius (ft) | Boom Length (ft) | | | | | | Radius (ft) |
| | 41 | 50 | 60 | 70 | 80 | 90 | |
| 10 | 23,700 | | | | | | 10 |
| 12 | 21,300 | 22,200 | 22,700 | | | | 12 |
| 15 | 18,100 | 19,100 | 19,800 | 20,200 | | | 15 |
| 20 | 14,000 | 15,100 | 15,900 | 16,400 | 16,500 | | 20 |
| 25 | 10,800 | 12,000 | 12,800 | 13,400 | 13,600 | 13,700 | 25 |
| 30 | 8,300 | 9,600 | 10,500 | 11,100 | 11,300 | 11,500 | 30 |
| 35 | | 7,600 | 8,600 | 9,200 | 9,400 | 9,600 | 35 |
| 40 | | 5,900 | 7,000 | 7,600 | 7,900 | 8,100 | 40 |
| 45 | | | 5,600 | 6,300 | 6,600 | 6,800 | 45 |
| 50 | | | 4,300 | 5,100 | 5,300 | 5,500 | 50 |
| 55 | | | | 4,000 | 4,200 | 4,400 | 55 |
| 60 | | | | 3,100 | 3,300 | 3,500 | 60 |
| 65 | | | | | 2,600 | 2,800 | 65 |
| 70 | | | | | 1,900 | 2,100 | 70 |
| 75 | | | | | | 1,600 | 75 |
| 80 | | | | | | 1,100 | 80 |

This information is not for crane operation. Operator must refer to the in-cab information for crane operation. Rated lifting capacities shown on fully extended outriggers do not exceed 85% of the tipping loads and on tires do not exceed 75% of the tipping loads.

Main Boom Lift Capacity Charts – Imperial B30.5 – Optional

| 14,400 lb Counterweight – Fully Extended Outriggers – 360° Rotation (All Capacities Are Listed In Pounds) | | | | | | | | | | | | |
|--|------------------|---------|---------|--------|--------|--------|--------|--------|--------|--------|-------------|-----|
| Radius (ft) | Boom Length (ft) | | | | | | | | | | Radius (ft) | |
| | 41 | 50 | 60 | 70 | 80 | 90 | 100 | 110 | 120 | 127 | | |
| 9 | 150,000** | | | | | | | | | | | 9 |
| 10 | 140,500** | 110,700 | 106,900 | 74,400 | | | | | | | | 10 |
| 12 | 116,600 | 105,000 | 106,900 | 81,000 | 62,800 | | | | | | | 12 |
| 15 | 91,300 | 92,600 | 93,700 | 77,400 | 62,800 | 61,400 | | | | | | 15 |
| 20 | 65,700 | 67,600 | 68,300 | 68,100 | 62,800 | 57,100 | 47,900 | 29,100 | | | | 20 |
| 25 | 50,200 | 52,100 | 52,800 | 53,700 | 53,400 | 49,900 | 42,500 | 32,800 | 25,500 | 22,600 | | 25 |
| 30 | 39,700 | 41,700 | 42,800 | 43,300 | 43,100 | 43,000 | 38,100 | 32,100 | 25,500 | 22,600 | | 30 |
| 35 | | 34,300 | 35,400 | 35,900 | 35,800 | 35,700 | 34,300 | 29,200 | 25,500 | 22,600 | | 35 |
| 40 | | 28,000 | 29,500 | 29,700 | 29,500 | 29,300 | 29,100 | 26,700 | 25,000 | 22,600 | | 40 |
| 45 | | | 24,300 | 24,600 | 24,900 | 24,900 | 24,700 | 24,400 | 23,200 | 22,600 | | 45 |
| 50 | | | 20,300 | 20,600 | 21,500 | 21,200 | 20,700 | 20,900 | 21,300 | 21,000 | | 50 |
| 55 | | | | 18,100 | 18,400 | 18,600 | 18,200 | 18,400 | 18,200 | 18,000 | | 55 |
| 60 | | | | 15,600 | 15,900 | 16,200 | 16,200 | 15,900 | 15,700 | 15,500 | | 60 |
| 65 | | | | 12,000 | 13,800 | 14,000 | 14,100 | 13,800 | 13,600 | 13,400 | | 65 |
| 70 | | | | | 12,100 | 12,300 | 12,400 | 12,100 | 11,900 | 11,800 | | 70 |
| 75 | | | | | | 10,800 | 10,900 | 10,700 | 10,400 | 10,300 | | 75 |
| 80 | | | | | | 9,500 | 9,600 | 9,400 | 9,200 | 9,100 | | 80 |
| 85 | | | | | | | 8,500 | 8,300 | 8,100 | 8,000 | | 85 |
| 90 | | | | | | | 7,500 | 7,300 | 7,200 | 7,000 | | 90 |
| 95 | | | | | | | | 6,500 | 6,300 | 6,200 | | 95 |
| 100 | | | | | | | | 5,700 | 5,600 | 5,500 | | 100 |
| 105 | | | | | | | | 4,200 | 4,900 | 4,800 | | 105 |
| 110 | | | | | | | | | 4,300 | 4,200 | | 110 |
| 115 | | | | | | | | | | 3,700 | | 115 |

** Requires special equipment

This information is not for crane operation. Operator must refer to the in-cab information for crane operation. Rated lifting capacities shown on fully extended outriggers do not exceed 85% of the tipping loads and on tires do not exceed 75% of the tipping loads.

| 14,400 lb Counterweight – On Tires – Stationary – Boom Centered Over Rear (All Capacities Are Listed In Pounds) | | | | | | | |
|---|------------------|--------|--------|--------|--------|--------|----------------|
| Radius (ft) | Boom Length (ft) | | | | | | Radius (ft) |
| | 41 | 50 | 60 | 70 | 80 | 90 | |
| 10 | 33,700 | | | | | | 10 |
| 12 | 30,500 | 31,400 | 31,900 | | | | 12 |
| 15 | 26,500 | 27,400 | 28,100 | 23,600 | | | 15 |
| 20 | 21,200 | 22,300 | 23,100 | 23,600 | 19,800 | | 20 |
| 25 | 15,900 | 17,500 | 18,800 | 19,600 | 19,800 | 15,300 | 25 |
| 30 | 11,300 | 12,900 | 14,100 | 14,800 | 15,100 | 15,300 | 30 |
| 35 | | 9,700 | 10,900 | 11,600 | 11,900 | 12,100 | 35 |
| 40 | | 7,300 | 8,500 | 9,200 | 9,500 | 9,700 | 40 |
| 45 | | | 6,600 | 7,400 | 7,600 | 7,800 | 45 |
| 50 | | | 5,200 | 5,900 | 6,200 | 6,400 | 50 |
| 55 | | | | 4,700 | 5,000 | 5,200 | 55 |
| 60 | | | | 3,800 | 4,000 | 4,200 | 60 |
| 65 | | | | | 3,200 | 3,400 | 65 |
| 70 | | | | | 2,500 | 2,700 | 70 |
| 75 | | | | | | 2,100 | 75 |
| 80 | | | | | | 1,600 | 80 |

| 14,400 lb Counterweight – On Tires – Pick & Carry (1 mph) – Boom Centered Over Rear (All Capacities Are Listed In Pounds) | | | | | | | |
|---|------------------|--------|--------|--------|--------|--------|----------------|
| Radius (ft) | Boom Length (ft) | | | | | | Radius (ft) |
| | 41 | 50 | 60 | 70 | 80 | 90 | |
| 10 | 23,500 | | | | | | 10 |
| 12 | 21,200 | 22,000 | 22,400 | | | | 12 |
| 15 | 18,100 | 19,100 | 19,700 | 20,100 | | | 15 |
| 20 | 14,000 | 15,100 | 15,900 | 16,400 | 16,500 | | 20 |
| 25 | 10,800 | 12,000 | 12,800 | 13,400 | 13,600 | 13,700 | 25 |
| 30 | 8,300 | 9,600 | 10,500 | 11,100 | 11,300 | 11,500 | 30 |
| 35 | | 7,600 | 8,600 | 9,200 | 9,400 | 9,600 | 35 |
| 40 | | 5,900 | 7,000 | 7,600 | 7,900 | 8,100 | 40 |
| 45 | | | 5,600 | 6,300 | 6,600 | 6,800 | 45 |
| 50 | | | 4,500 | 5,200 | 5,500 | 5,600 | 50 |
| 55 | | | | 4,200 | 4,500 | 4,700 | 55 |
| 60 | | | | 3,400 | 3,700 | 3,900 | 60 |
| 65 | | | | | 2,900 | 3,100 | 65 |
| 70 | | | | | 2,300 | 2,500 | 70 |
| 75 | | | | | | 1,900 | 75 |
| 80 | | | | | | 1,400 | 80 |

This information is not for crane operation. Operator must refer to the in-cab information for crane operation. Rated lifting capacities shown on fully extended outriggers do not exceed 85% of the tipping loads and on tires do not exceed 75% of the tipping loads.

18,400 lb Counterweight – Fully Extended Outriggers – 360° Rotation
 (All Capacities Are Listed In Pounds)

| Radius (ft) | Boom Length (ft) | | | | | | | | | | Radius (ft) | |
|----------------|------------------|---------|---------|--------|--------|--------|--------|--------|--------|--------|----------------|-----|
| | 41 | 50 | 60 | 70 | 80 | 90 | 100 | 110 | 120 | 127 | | |
| 9 | 150,000** | | | | | | | | | | | 9 |
| 10 | 140,500** | 110,700 | 106,900 | 74,400 | | | | | | | | 10 |
| 12 | 120,500 | 105,000 | 106,900 | 81,000 | 62,800 | | | | | | | 12 |
| 15 | 94,400 | 95,800 | 96,800 | 77,400 | 62,800 | 61,400 | | | | | | 15 |
| 20 | 68,000 | 69,900 | 70,600 | 70,400 | 62,800 | 57,100 | 47,900 | 29,100 | | | | 20 |
| 25 | 52,000 | 54,000 | 54,700 | 54,900 | 55,300 | 49,900 | 42,500 | 32,800 | 25,500 | 22,600 | | 25 |
| 30 | 41,300 | 43,300 | 44,400 | 44,900 | 44,700 | 44,100 | 38,100 | 32,100 | 25,500 | 22,600 | | 30 |
| 35 | | 35,600 | 36,700 | 37,300 | 37,100 | 37,000 | 34,300 | 29,200 | 25,500 | 22,600 | | 35 |
| 40 | | 29,800 | 31,000 | 31,500 | 31,300 | 31,200 | 31,100 | 26,700 | 25,000 | 22,600 | | 40 |
| 45 | | | 26,300 | 26,600 | 26,300 | 26,100 | 26,600 | 24,500 | 23,200 | 22,600 | | 45 |
| 50 | | | 22,100 | 22,400 | 22,800 | 22,700 | 22,500 | 22,300 | 21,600 | 21,000 | | 50 |
| 55 | | | | 19,100 | 20,000 | 19,600 | 19,300 | 19,400 | 19,800 | 19,400 | | 55 |
| 60 | | | | 17,000 | 17,400 | 17,600 | 16,900 | 17,400 | 17,200 | 17,000 | | 60 |
| 65 | | | | 13,400 | 15,200 | 15,400 | 15,500 | 15,200 | 15,000 | 14,900 | | 65 |
| 70 | | | | | 13,300 | 13,600 | 13,600 | 13,400 | 13,200 | 13,100 | | 70 |
| 75 | | | | | | 12,100 | 12,200 | 11,900 | 11,700 | 11,600 | | 75 |
| 80 | | | | | | 10,700 | 10,800 | 10,600 | 10,400 | 10,300 | | 80 |
| 85 | | | | | | | 9,600 | 9,400 | 9,200 | 9,100 | | 85 |
| 90 | | | | | | | 8,600 | 8,400 | 8,200 | 8,100 | | 90 |
| 95 | | | | | | | | 7,500 | 7,300 | 7,200 | | 95 |
| 100 | | | | | | | | 6,700 | 6,500 | 6,400 | | 100 |
| 105 | | | | | | | | 5,100 | 5,800 | 5,700 | | 105 |
| 110 | | | | | | | | | 5,100 | 5,000 | | 110 |
| 115 | | | | | | | | | | 4,500 | | 115 |

** Requires special equipment

This information is not for crane operation. Operator must refer to the in-cab information for crane operation. Rated lifting capacities shown on fully extended outriggers do not exceed 85% of the tipping loads and on tires do not exceed 75% of the tipping loads.

| 18,400 lb Counterweight – On Tires – Stationary – Boom Centered Over Rear (All Capacities Are Listed In Pounds) | | | | | | | |
|---|------------------|--------|--------|--------|--------|--------|-------------|
| Radius (ft) | Boom Length (ft) | | | | | | Radius (ft) |
| | 41 | 50 | 60 | 70 | 80 | 90 | |
| 10 | 32,800 | | | | | | 10 |
| 12 | 29,800 | 30,600 | 31,100 | | | | 12 |
| 15 | 25,900 | 26,800 | 27,500 | 27,900 | | | 15 |
| 20 | 20,700 | 21,800 | 22,600 | 23,100 | 18,900 | | 20 |
| 25 | 16,700 | 17,900 | 18,800 | 19,300 | 18,900 | 16,000 | 25 |
| 30 | 12,800 | 14,400 | 15,600 | 16,300 | 16,500 | 16,000 | 30 |
| 35 | | 11,000 | 12,200 | 12,900 | 13,100 | 13,300 | 35 |
| 40 | | 8,400 | 9,600 | 10,400 | 10,600 | 10,800 | 40 |
| 45 | | | 7,600 | 8,400 | 8,700 | 8,900 | 45 |
| 50 | | | 6,100 | 6,800 | 7,100 | 7,300 | 50 |
| 55 | | | | 5,600 | 5,800 | 6,000 | 55 |
| 60 | | | | 4,500 | 4,800 | 5,000 | 60 |
| 65 | | | | | 3,900 | 4,100 | 65 |
| 70 | | | | | 3,100 | 3,300 | 70 |
| 75 | | | | | | 2,700 | 75 |
| 80 | | | | | | 2,100 | 80 |

| 18,400 lb Counterweight – On Tires – Pick & Carry (1 mph) – Boom Centered Over Rear (All Capacities Are Listed In Pounds) | | | | | | | |
|---|------------------|--------|--------|--------|--------|--------|-------------|
| Radius (ft) | Boom Length (ft) | | | | | | Radius (ft) |
| | 41 | 50 | 60 | 70 | 80 | 90 | |
| 10 | 23,700 | | | | | | 10 |
| 12 | 20,200 | 21,800 | 22,600 | | | | 12 |
| 15 | 17,500 | 18,400 | 18,900 | 19,100 | | | 15 |
| 20 | 13,500 | 14,500 | 15,300 | 15,800 | 15,900 | | 20 |
| 25 | 10,400 | 11,600 | 12,400 | 12,900 | 13,100 | 13,200 | 25 |
| 30 | 7,900 | 9,200 | 10,100 | 10,700 | 10,900 | 11,100 | 30 |
| 35 | | 7,200 | 8,200 | 8,900 | 9,100 | 9,200 | 35 |
| 40 | | 5,600 | 6,700 | 7,300 | 7,600 | 7,700 | 40 |
| 45 | | | 5,300 | 6,000 | 6,300 | 6,500 | 45 |
| 50 | | | 4,200 | 4,900 | 5,200 | 5,400 | 50 |
| 55 | | | | 4,000 | 4,200 | 4,400 | 55 |
| 60 | | | | 3,200 | 3,400 | 3,600 | 60 |
| 65 | | | | | 2,700 | 2,900 | 65 |
| 70 | | | | | 2,100 | 2,300 | 70 |
| 75 | | | | | | 1,700 | 75 |
| 80 | | | | | | 1,200 | 80 |

This information is not for crane operation. Operator must refer to the in-cab information for crane operation. Rated lifting capacities shown on fully extended outriggers do not exceed 85% of the tipping loads and on tires do not exceed 75% of the tipping loads.

Fly Attachment Lift Capacity Charts – Imperial B30.5 – Optional

| 0 lb Counterweight – Fully Extended Outriggers – 360° Rotation (All Capacities Are Listed In Pounds) | | | | | |
|---|---------------|----------------|----------------|----------------|-------------|
| 98.7 ft Main Boom Length – 38 ft Offset Fly Length | | | | | |
| Radius (ft) | 2° Fly Offset | 15° Fly Offset | 30° Fly Offset | 45° Fly Offset | Radius (ft) |
| 30 | 16,200** | | | | 30 |
| 35 | 15,600** | | | | 35 |
| 40 | 14,900** | 12,500 | | | 40 |
| 45 | 14,300** | 12,000 | 10,100 | | 45 |
| 50 | 13,600** | 11,500 | 9,800 | | 50 |
| 55 | 11,900 | 11,100 | 9,500 | 8,600 | 55 |
| 60 | 9,900 | 10,700 | 9,300 | 8,400 | 60 |
| 65 | 8,300 | 9,100 | 9,000 | 8,300 | 65 |
| 70 | 7,000 | 7,700 | 8,400 | 8,100 | 70 |
| 75 | 5,900 | 6,600 | 7,200 | 7,700 | 75 |
| 80 | 5,000 | 5,500 | 6,100 | 6,500 | 80 |
| 85 | 4,200 | 4,700 | 5,200 | 5,500 | 85 |
| 90 | 3,500 | 3,900 | 4,300 | 4,600 | 90 |
| 95 | 2,900 | 3,300 | 3,600 | 3,800 | 95 |
| 100 | 2,300 | 2,700 | 3,000 | 3,100 | 100 |
| 105 | 1,900 | 2,100 | 2,400 | 2,500 | 105 |
| 110 | 1,400 | 1,700 | 1,900 | | 110 |
| 115 | 1,000 | 1,200 | 1,400 | | 115 |

** Requires special equipment

This information is not for crane operation. Operator must refer to the in-cab information for crane operation. Rated lifting capacities shown on fully extended outriggers do not exceed 85% of the tipping loads and on tires do not exceed 75% of the tipping loads.

| 0 lb Counterweight – Fully Extended Outriggers – 360° Rotation (All Capacities Are Listed In Pounds) | | | | | |
|---|----------------------|-----------------------|-----------------------|-----------------------|------------------------|
| 127 ft Main Boom Length – 38 ft Offset Fly Length | | | | | |
| Radius (ft) | 2° Fly Offset | 15° Fly Offset | 30° Fly Offset | 45° Fly Offset | Radius (ft) |
| 35 | 10,900 | | | | 35 |
| 40 | 10,900 | | | | 40 |
| 45 | 10,900 | 10,400 | | | 45 |
| 50 | 10,900 | 10,300 | | | 50 |
| 55 | 10,900 | 10,100 | 9,100 | | 55 |
| 60 | 10,200 | 9,900 | 8,900 | | 60 |
| 65 | 8,600 | 9,400 | 8,700 | 8,100 | 65 |
| 70 | 7,300 | 8,000 | 8,600 | 8,000 | 70 |
| 75 | 6,200 | 6,800 | 7,500 | 7,900 | 75 |
| 80 | 5,200 | 5,800 | 6,400 | 6,900 | 80 |
| 85 | 4,400 | 5,000 | 5,500 | 5,900 | 85 |
| 90 | 3,700 | 4,200 | 4,700 | 5,000 | 90 |
| 95 | 3,100 | 3,500 | 4,000 | 4,300 | 95 |
| 100 | 2,600 | 3,000 | 3,300 | 3,600 | 100 |
| 105 | 2,100 | 2,400 | 2,800 | 3,000 | 105 |
| 110 | 1,600 | 2,000 | 2,300 | 2,500 | 110 |
| 115 | 1,200 | 1,500 | 1,800 | 2,000 | 115 |
| 120 | | 1,100 | 1,400 | 1,500 | 120 |
| 125 | | | 1,000 | 1,100 | 125 |

This information is not for crane operation. Operator must refer to the in-cab information for crane operation. Rated lifting capacities shown on fully extended outriggers do not exceed 85% of the tipping loads and on tires do not exceed 75% of the tipping loads.

| 10,800 lb Counterweight – Fully Extended Outriggers – 360° Rotation (All Capacities Are Listed In Pounds) | | | | | |
|--|-----------------|--------|--|-----------------|-------|
| 98.7 ft Main Boom Length 2° Fly Offset | | | 98.7 ft Main Boom Length 15° Fly Offset | | |
| Radius (ft) | Fly Length (ft) | | Radius (ft) | Fly Length (ft) | |
| | 38 | 64 | | 38 | 64 |
| 30 | 16,200** | | 30 | | |
| 35 | 15,600** | 10,300 | 35 | | |
| 40 | 14,900** | 9,900 | 40 | 12,500 | |
| 45 | 14,300** | 9,400 | 45 | 12,000 | |
| 50 | 13,600** | 9,000 | 50 | 11,500 | 7,400 |
| 55 | 13,000** | 8,500 | 55 | 11,100 | 7,000 |
| 60 | 12,500 | 8,100 | 60 | 10,700 | 6,700 |
| 65 | 11,900 | 7,700 | 65 | 10,300 | 6,400 |
| 70 | 10,900 | 7,300 | 70 | 10,000 | 6,200 |
| 75 | 9,500 | 7,000 | 75 | 9,700 | 5,900 |
| 80 | 8,300 | 6,700 | 80 | 8,800 | 5,700 |
| 85 | 7,300 | 6,400 | 85 | 7,800 | 5,500 |
| 90 | 6,400 | 6,100 | 90 | 6,800 | 5,300 |
| 95 | 5,600 | 5,800 | 95 | 6,000 | 5,100 |
| 100 | 4,900 | 5,600 | 100 | 5,200 | 5,000 |
| 105 | 4,300 | 5,100 | 105 | 4,600 | 4,800 |
| 110 | 3,700 | 4,500 | 110 | 4,000 | 4,700 |
| 115 | 3,200 | 4,000 | 115 | 3,400 | 4,500 |
| 120 | 2,800 | 3,600 | 120 | 2,900 | 4,000 |
| 125 | 2,300 | 3,100 | 125 | 2,400 | 3,500 |
| 130 | | 2,700 | 130 | | 3,100 |
| 135 | | 2,400 | 135 | | 2,700 |
| 140 | | 2,100 | 140 | | 2,300 |
| 145 | | 1,800 | 145 | | 2,000 |
| 150 | | 1,500 | 150 | | 1,600 |
| 155 | | 1,200 | 155 | | |

** Requires special equipment

This information is not for crane operation. Operator must refer to the in-cab information for crane operation. Rated lifting capacities shown on fully extended outriggers do not exceed 85% of the tipping loads and on tires do not exceed 75% of the tipping loads.

| 10,800 lb Counterweight – Fully Extended Outriggers – 360° Rotation (All Capacities Are Listed In Pounds) | | | | | |
|--|-----------------|-------|--|-----------------|-------|
| 98.7 ft Main Boom Length 30° Fly Offset | | | 98.7 ft Main Boom Length 45° Fly Offset | | |
| Radius (ft) | Fly Length (ft) | | Radius (ft) | Fly Length (ft) | |
| | 38 | 64 | | 38 | 64 |
| 45 | 10,100 | | 45 | | |
| 50 | 9,800 | | 50 | | |
| 55 | 9,500 | | 55 | 8,600 | |
| 60 | 9,300 | | 60 | 8,400 | |
| 65 | 9,000 | 5,400 | 65 | 8,300 | |
| 70 | 8,800 | 5,200 | 70 | 8,100 | |
| 75 | 8,600 | 5,100 | 75 | 8,000 | |
| 80 | 8,500 | 4,900 | 80 | 7,900 | 4,400 |
| 85 | 8,200 | 4,800 | 85 | 7,800 | 4,300 |
| 90 | 7,200 | 4,700 | 90 | 7,500 | 4,300 |
| 95 | 6,300 | 4,600 | 95 | 6,500 | 4,200 |
| 100 | 5,500 | 4,500 | 100 | 5,700 | 4,200 |
| 105 | 4,800 | 4,400 | 105 | 4,900 | 4,100 |
| 110 | 4,200 | 4,300 | 110 | | 4,100 |
| 115 | 3,600 | 4,200 | 115 | | 4,100 |
| 120 | | 4,200 | 120 | | 4,100 |
| 125 | | 3,900 | 125 | | 4,100 |
| 130 | | 3,400 | 130 | | 3,500 |
| 135 | | 2,900 | 135 | | 3,000 |
| 140 | | 2,500 | 140 | | |
| 145 | | 2,100 | 145 | | |

This information is not for crane operation. Operator must refer to the in-cab information for crane operation. Rated lifting capacities shown on fully extended outriggers do not exceed 85% of the tipping loads and on tires do not exceed 75% of the tipping loads.

| 10,800 lb Counterweight – Fully Extended Outriggers – 360° Rotation (All Capacities Are Listed In Pounds) | | | | | | | |
|--|-----------------|-------|-------|---|-----------------|-------|-------|
| 127 ft Main Boom Length 2° Fly Offset | | | | 127 ft Main Boom Length 15° Fly Offset | | | |
| Radius (ft) | Fly Length (ft) | | | Radius (ft) | Fly Length (ft) | | |
| | 38 | 64 | 80 | | 38 | 64 | 80 |
| 35 | 10,900 | | | 35 | | | |
| 40 | 10,900 | | | 40 | | | |
| 45 | 10,900 | 7,300 | | 45 | 10,400 | | |
| 50 | 10,900 | 7,300 | 5,800 | 50 | 10,300 | | |
| 55 | 10,900 | 7,200 | 5,800 | 55 | 10,100 | | |
| 60 | 10,900 | 7,100 | 5,800 | 60 | 9,900 | | |
| 65 | 10,700 | 6,900 | 5,800 | 65 | 9,700 | 6,100 | 5,600 |
| 70 | 10,500 | 6,800 | 5,800 | 70 | 9,500 | 6,000 | 5,300 |
| 75 | 9,700 | 6,600 | 5,800 | 75 | 9,300 | 5,800 | 5,000 |
| 80 | 8,500 | 6,500 | 5,500 | 80 | 9,000 | 5,600 | 4,700 |
| 85 | 7,500 | 6,300 | 5,200 | 85 | 8,000 | 5,500 | 4,400 |
| 90 | 6,600 | 6,100 | 4,900 | 90 | 7,100 | 5,300 | 4,200 |
| 95 | 5,800 | 5,900 | 4,600 | 95 | 6,200 | 5,200 | 4,000 |
| 100 | 5,100 | 5,700 | 4,400 | 100 | 5,500 | 5,100 | 3,800 |
| 105 | 4,500 | 5,100 | 4,200 | 105 | 4,800 | 4,900 | 3,600 |
| 110 | 3,900 | 4,500 | 4,000 | 110 | 4,200 | 4,700 | 3,500 |
| 115 | 3,400 | 4,000 | 3,800 | 115 | 3,700 | 4,500 | 3,300 |
| 120 | 3,000 | 3,500 | 3,400 | 120 | 3,200 | 4,000 | 3,200 |
| 125 | 2,500 | 3,100 | 2,900 | 125 | 2,800 | 3,600 | 3,000 |
| 130 | 2,200 | 2,700 | 2,500 | 130 | 2,400 | 3,100 | 2,900 |
| 135 | 1,800 | 2,300 | 2,200 | 135 | 2,000 | 2,700 | 2,600 |
| 140 | 1,500 | 2,000 | 1,900 | 140 | 1,600 | 2,400 | 2,200 |
| 145 | 1,200 | 1,700 | 1,500 | 145 | 1,300 | 2,000 | 1,900 |
| 150 | | 1,400 | 1,300 | 150 | 1,000 | 1,700 | 1,600 |
| 155 | | 1,200 | 1,000 | 155 | | 1,400 | 1,300 |
| 160 | | | | 160 | | 1,200 | 1,000 |

This information is not for crane operation. Operator must refer to the in-cab information for crane operation. Rated lifting capacities shown on fully extended outriggers do not exceed 85% of the tipping loads and on tires do not exceed 75% of the tipping loads.

| 10,800 lb Counterweight – Fully Extended Outriggers – 360° Rotation (All Capacities Are Listed In Pounds) | | | | | | | |
|--|-----------------|-------|-------|---|-----------------|-------|-------|
| 127 ft Main Boom Length 30° Fly Offset | | | | 127 ft Main Boom Length 45° Fly Offset | | | |
| Radius (ft) | Fly Length (ft) | | | Radius (ft) | Fly Length (ft) | | |
| | 38 | 64 | 80 | | 38 | 64 | 80 |
| 55 | 9,100 | | | 55 | | | |
| 60 | 8,900 | | | 60 | | | |
| 65 | 8,700 | | | 65 | 8,100 | | |
| 70 | 8,600 | | | 70 | 8,000 | | |
| 75 | 8,500 | | | 75 | 7,900 | | |
| 80 | 8,300 | 4,900 | 3,900 | 80 | 7,700 | | |
| 85 | 8,000 | 4,800 | 3,700 | 85 | 7,700 | | |
| 90 | 7,500 | 4,700 | 3,500 | 90 | 7,400 | 4,200 | 3,100 |
| 95 | 6,700 | 4,600 | 3,400 | 95 | 7,000 | 4,200 | 2,900 |
| 100 | 5,900 | 4,500 | 3,200 | 100 | 6,100 | 4,100 | 2,800 |
| 105 | 5,200 | 4,400 | 3,100 | 105 | 5,400 | 4,100 | 2,700 |
| 110 | 4,500 | 4,300 | 2,900 | 110 | 4,700 | 4,100 | 2,600 |
| 115 | 4,000 | 4,200 | 2,800 | 115 | 4,100 | 4,000 | 2,500 |
| 120 | 3,500 | 4,000 | 2,700 | 120 | 3,600 | 3,900 | 2,500 |
| 125 | 3,000 | 3,900 | 2,600 | 125 | 3,100 | 3,800 | 2,400 |
| 130 | 2,500 | 3,600 | 2,500 | 130 | | 3,600 | 2,300 |
| 135 | 2,100 | 3,100 | 2,500 | 135 | | 3,400 | 2,300 |
| 140 | 1,700 | 2,700 | 2,400 | 140 | | 2,900 | 2,200 |
| 145 | 1,400 | 2,300 | 2,300 | 145 | | 2,500 | 2,200 |
| 150 | | 2,000 | 1,900 | 150 | | 2,100 | 2,100 |
| 155 | | 1,700 | 1,600 | 155 | | 1,700 | 1,800 |
| 160 | | 1,300 | 1,300 | 160 | | 1,400 | 1,400 |
| 165 | | 1,000 | 1,000 | 165 | | | 1,100 |

This information is not for crane operation. Operator must refer to the in-cab information for crane operation. Rated lifting capacities shown on fully extended outriggers do not exceed 85% of the tipping loads and on tires do not exceed 75% of the tipping loads.

| 14,400 lb Counterweight – Fully Extended Outriggers – 360° Rotation (All Capacities Are Listed In Pounds) | | | | | |
|--|-----------------|--------|--|-----------------|-------|
| 98.7 ft Main Boom Length 2° Fly Offset | | | 98.7 ft Main Boom Length 15° Fly Offset | | |
| Radius (ft) | Fly Length (ft) | | Radius (ft) | Fly Length (ft) | |
| | 38 | 64 | | 38 | 64 |
| 30 | 16,200** | | 30 | | |
| 35 | 15,600** | 10,300 | 35 | | |
| 40 | 14,900** | 9,900 | 40 | 12,500 | |
| 45 | 14,300** | 9,400 | 45 | 12,000 | |
| 50 | 13,600** | 9,000 | 50 | 11,500 | 7,400 |
| 55 | 13,000** | 8,500 | 55 | 11,100 | 7,000 |
| 60 | 12,500 | 8,100 | 60 | 10,700 | 6,700 |
| 65 | 11,900 | 7,700 | 65 | 10,300 | 6,400 |
| 70 | 11,400 | 7,300 | 70 | 10,000 | 6,200 |
| 75 | 10,700 | 7,000 | 75 | 9,700 | 5,900 |
| 80 | 9,400 | 6,700 | 80 | 9,400 | 5,700 |
| 85 | 8,300 | 6,400 | 85 | 8,800 | 5,500 |
| 90 | 7,300 | 6,100 | 90 | 7,800 | 5,300 |
| 95 | 6,500 | 5,800 | 95 | 6,900 | 5,100 |
| 100 | 5,700 | 5,600 | 100 | 6,100 | 5,000 |
| 105 | 5,100 | 5,400 | 105 | 5,400 | 4,800 |
| 110 | 4,500 | 5,200 | 110 | 4,700 | 4,700 |
| 115 | 3,900 | 4,700 | 115 | 4,100 | 4,600 |
| 120 | 3,400 | 4,200 | 120 | 3,600 | 4,500 |
| 125 | 3,000 | 3,800 | 125 | 3,100 | 4,200 |
| 130 | | 3,400 | 130 | | 3,700 |
| 135 | | 3,000 | 135 | | 3,300 |
| 140 | | 2,600 | 140 | | 2,900 |
| 145 | | 2,300 | 145 | | 2,500 |
| 150 | | 2,000 | 150 | | 2,200 |
| 155 | | 1,800 | 155 | | |

** Requires special equipment

This information is not for crane operation. Operator must refer to the in-cab information for crane operation. Rated lifting capacities shown on fully extended outriggers do not exceed 85% of the tipping loads and on tires do not exceed 75% of the tipping loads.

| 14,400 lb Counterweight – Fully Extended Outriggers – 360° Rotation (All Capacities Are Listed In Pounds) | | | | | |
|--|-----------------|-------|--|-----------------|-------|
| 98.7 ft Main Boom Length 30° Fly Offset | | | 98.7 ft Main Boom Length 45° Fly Offset | | |
| Radius (ft) | Fly Length (ft) | | Radius (ft) | Fly Length (ft) | |
| | 38 | 64 | | 38 | 64 |
| 45 | 10,100 | | 45 | | |
| 50 | 9,800 | | 50 | | |
| 55 | 9,500 | | 55 | 8,600 | |
| 60 | 9,300 | | 60 | 8,400 | |
| 65 | 9,000 | 5,400 | 65 | 8,300 | |
| 70 | 8,800 | 5,200 | 70 | 8,100 | |
| 75 | 8,600 | 5,100 | 75 | 8,000 | |
| 80 | 8,500 | 4,900 | 80 | 7,900 | 4,400 |
| 85 | 8,300 | 4,800 | 85 | 7,800 | 4,300 |
| 90 | 8,200 | 4,700 | 90 | 7,700 | 4,300 |
| 95 | 7,200 | 4,600 | 95 | 7,400 | 4,200 |
| 100 | 6,400 | 4,500 | 100 | 6,500 | 4,200 |
| 105 | 5,600 | 4,400 | 105 | 5,700 | 4,100 |
| 110 | 4,900 | 4,300 | 110 | | 4,100 |
| 115 | 4,300 | 4,200 | 115 | | 4,100 |
| 120 | | 4,200 | 120 | | 4,100 |
| 125 | | 4,100 | 125 | | 4,100 |
| 130 | | 4,000 | 130 | | 4,100 |
| 135 | | 3,500 | 135 | | 3,600 |
| 140 | | 3,100 | 140 | | |
| 145 | | 2,600 | 145 | | |

This information is not for crane operation. Operator must refer to the in-cab information for crane operation. Rated lifting capacities shown on fully extended outriggers do not exceed 85% of the tipping loads and on tires do not exceed 75% of the tipping loads.

| 14,400 lb Counterweight – Fully Extended Outriggers – 360° Rotation (All Capacities Are Listed In Pounds) | | | | | | | | | |
|--|-----------------|-------|-------|-------|---|-----------------|-------|-------|-------|
| 127 ft Main Boom Length 2° Fly Offset | | | | | 127 ft Main Boom Length 15° Fly Offset | | | | |
| Radius (ft) | Fly Length (ft) | | | | Radius (ft) | Fly Length (ft) | | | |
| | 38 | 64 | 80 | 96 | | 38 | 64 | 80 | 96 |
| 35 | 10,900 | | | | 35 | | | | |
| 40 | 10,900 | | | | 40 | | | | |
| 45 | 10,900 | 7,300 | | | 45 | 10,400 | | | |
| 50 | 10,900 | 7,300 | 5,800 | | 50 | 10,300 | | | |
| 55 | 10,900 | 7,200 | 5,800 | 4,500 | 55 | 10,100 | | | |
| 60 | 10,900 | 7,100 | 5,800 | 4,500 | 60 | 9,900 | | | |
| 65 | 10,700 | 6,900 | 5,800 | 4,500 | 65 | 9,700 | 6,100 | 5,600 | |
| 70 | 10,500 | 6,800 | 5,800 | 4,500 | 70 | 9,500 | 6,000 | 5,300 | 4,200 |
| 75 | 10,200 | 6,600 | 5,800 | 4,500 | 75 | 9,300 | 5,800 | 5,000 | 3,900 |
| 80 | 9,600 | 6,500 | 5,500 | 4,100 | 80 | 9,000 | 5,600 | 4,700 | 3,700 |
| 85 | 8,500 | 6,300 | 5,200 | 3,900 | 85 | 8,500 | 5,500 | 4,400 | 3,400 |
| 90 | 7,600 | 6,100 | 4,900 | 3,600 | 90 | 8,000 | 5,300 | 4,200 | 3,200 |
| 95 | 6,700 | 5,900 | 4,600 | 3,400 | 95 | 7,100 | 5,200 | 4,000 | 3,000 |
| 100 | 5,900 | 5,700 | 4,400 | 3,200 | 100 | 6,300 | 5,100 | 3,800 | 2,800 |
| 105 | 5,300 | 5,400 | 4,200 | 3,000 | 105 | 5,600 | 4,900 | 3,600 | 2,600 |
| 110 | 4,700 | 5,100 | 4,000 | 2,800 | 110 | 5,000 | 4,700 | 3,500 | 2,500 |
| 115 | 4,100 | 4,700 | 3,800 | 2,600 | 115 | 4,400 | 4,500 | 3,300 | 2,300 |
| 120 | 3,600 | 4,200 | 3,600 | 2,500 | 120 | 3,900 | 4,300 | 3,200 | 2,200 |
| 125 | 3,200 | 3,800 | 3,400 | 2,300 | 125 | 3,400 | 4,100 | 3,000 | 2,100 |
| 130 | 2,800 | 3,300 | 3,200 | 2,200 | 130 | 3,000 | 3,800 | 2,900 | 1,900 |
| 135 | 2,400 | 2,900 | 2,800 | 2,100 | 135 | 2,600 | 3,300 | 2,800 | 1,800 |
| 140 | 2,100 | 2,600 | 2,400 | 2,000 | 140 | 2,200 | 3,000 | 2,700 | 1,700 |
| 145 | 1,800 | 2,300 | 2,100 | 1,800 | 145 | 1,900 | 2,600 | 2,400 | 1,600 |
| 150 | 1,500 | 2,000 | 1,800 | 1,700 | 150 | 1,600 | 2,300 | 2,100 | 1,500 |
| 155 | 1,200 | 1,700 | 1,500 | 1,500 | 155 | 1,300 | 2,000 | 1,800 | 1,500 |
| 160 | | 1,400 | 1,300 | 1,200 | 160 | | 1,700 | 1,500 | 1,400 |
| 165 | | 1,200 | 1,000 | | 165 | | 1,400 | 1,200 | 1,200 |
| 170 | | 1,000 | | | 170 | | 1,100 | 1,000 | 1,000 |

This information is not for crane operation. Operator must refer to the in-cab information for crane operation. Rated lifting capacities shown on fully extended outriggers do not exceed 85% of the tipping loads and on tires do not exceed 75% of the tipping loads.

| 14,400 lb Counterweight – Fully Extended Outriggers – 360° Rotation (All Capacities Are Listed In Pounds) | | | | | | | | | |
|--|-----------------|-------|-------|-------|---|-----------------|-------|-------|-------|
| 127 ft Main Boom Length 30° Fly Offset | | | | | 127 ft Main Boom Length 45° Fly Offset | | | | |
| Radius (ft) | Fly Length (ft) | | | | Radius (ft) | Fly Length (ft) | | | |
| | 38 | 64 | 80 | 96 | | 38 | 64 | 80 | 96 |
| 55 | 9,100 | | | | 55 | | | | |
| 60 | 8,900 | | | | 60 | | | | |
| 65 | 8,700 | | | | 65 | 8,100 | | | |
| 70 | 8,600 | | | | 70 | 8,000 | | | |
| 75 | 8,500 | | | | 75 | 7,900 | | | |
| 80 | 8,300 | 4,900 | 3,900 | | 80 | 7,700 | | | |
| 85 | 8,000 | 4,800 | 3,700 | 3,000 | 85 | 7,700 | | | |
| 90 | 7,700 | 4,700 | 3,500 | 2,800 | 90 | 7,400 | 4,200 | 3,100 | |
| 95 | 7,400 | 4,600 | 3,400 | 2,600 | 95 | 7,200 | 4,200 | 2,900 | 2,300 |
| 100 | 6,700 | 4,500 | 3,200 | 2,400 | 100 | 6,900 | 4,100 | 2,800 | 2,200 |
| 105 | 6,000 | 4,400 | 3,100 | 2,300 | 105 | 6,200 | 4,100 | 2,700 | 2,100 |
| 110 | 5,300 | 4,300 | 2,900 | 2,200 | 110 | 5,500 | 4,100 | 2,600 | 1,900 |
| 115 | 4,700 | 4,200 | 2,800 | 2,000 | 115 | 4,900 | 4,000 | 2,500 | 1,800 |
| 120 | 4,100 | 4,000 | 2,700 | 1,900 | 120 | 4,300 | 3,900 | 2,500 | 1,700 |
| 125 | 3,600 | 3,900 | 2,600 | 1,800 | 125 | 3,700 | 3,800 | 2,400 | 1,600 |
| 130 | 3,200 | 3,700 | 2,500 | 1,700 | 130 | | 3,600 | 2,300 | 1,500 |
| 135 | 2,700 | 3,600 | 2,500 | 1,600 | 135 | | 3,500 | 2,300 | 1,500 |
| 140 | 2,300 | 3,300 | 2,400 | 1,500 | 140 | | 3,400 | 2,200 | 1,400 |
| 145 | 1,900 | 2,900 | 2,300 | 1,400 | 145 | | 3,100 | 2,200 | 1,300 |
| 150 | | 2,500 | 2,300 | 1,300 | 150 | | 2,700 | 2,100 | 1,200 |
| 155 | | 2,200 | 2,100 | 1,300 | 155 | | 2,300 | 2,100 | 1,200 |
| 160 | | 1,900 | 1,800 | 1,200 | 160 | | 1,900 | 1,900 | 1,100 |
| 165 | | 1,500 | 1,500 | 1,200 | 165 | | | 1,600 | 1,100 |
| 170 | | 1,200 | 1,200 | 1,100 | 170 | | | 1,300 | 1,100 |
| 175 | | | | 1,000 | 175 | | | | 1,000 |

This information is not for crane operation. Operator must refer to the in-cab information for crane operation. Rated lifting capacities shown on fully extended outriggers do not exceed 85% of the tipping loads and on tires do not exceed 75% of the tipping loads.

| 18,400 lb Counterweight – Fully Extended Outriggers – 360° Rotation (All Capacities Are Listed In Pounds) | | | | | |
|--|-----------------|--------|--|-----------------|-------|
| 98.7 ft Main Boom Length 2° Fly Offset | | | 98.7 ft Main Boom Length 15° Fly Offset | | |
| Radius (ft) | Fly Length (ft) | | Radius (ft) | Fly Length (ft) | |
| | 38 | 64 | | 38 | 64 |
| 30 | 16,200** | | 30 | | |
| 35 | 15,600** | 10,300 | 35 | | |
| 40 | 14,900** | 9,900 | 40 | 12,500 | |
| 45 | 14,300** | 9,400 | 45 | 12,000 | |
| 50 | 13,600** | 9,000 | 50 | 11,500 | 7,400 |
| 55 | 13,000** | 8,500 | 55 | 11,100 | 7,000 |
| 60 | 12,500 | 8,100 | 60 | 10,700 | 6,700 |
| 65 | 11,900 | 7,700 | 65 | 10,300 | 6,400 |
| 70 | 11,400 | 7,300 | 70 | 10,000 | 6,200 |
| 75 | 11,000 | 7,000 | 75 | 9,700 | 5,900 |
| 80 | 10,500 | 6,700 | 80 | 9,400 | 5,700 |
| 85 | 9,400 | 6,400 | 85 | 9,100 | 5,500 |
| 90 | 8,400 | 6,100 | 90 | 8,800 | 5,300 |
| 95 | 7,500 | 5,800 | 95 | 7,800 | 5,100 |
| 100 | 6,700 | 5,600 | 100 | 7,000 | 5,000 |
| 105 | 5,900 | 5,400 | 105 | 6,200 | 4,800 |
| 110 | 5,300 | 5,200 | 110 | 5,500 | 4,700 |
| 115 | 4,700 | 5,000 | 115 | 4,900 | 4,600 |
| 120 | 4,200 | 4,900 | 120 | 4,400 | 4,500 |
| 125 | 3,700 | 4,500 | 125 | 3,800 | 4,400 |
| 130 | | 4,100 | 130 | | 4,300 |
| 135 | | 3,700 | 135 | | 3,900 |
| 140 | | 3,300 | 140 | | 3,500 |
| 145 | | 2,900 | 145 | | 3,100 |
| 150 | | 2,600 | 150 | | 2,800 |
| 155 | | 2,300 | 155 | | |

** Requires special equipment

This information is not for crane operation. Operator must refer to the in-cab information for crane operation. Rated lifting capacities shown on fully extended outriggers do not exceed 85% of the tipping loads and on tires do not exceed 75% of the tipping loads.

| 18,400 lb Counterweight – Fully Extended Outriggers – 360° Rotation (All Capacities Are Listed In Pounds) | | | | | |
|---|-----------------|-------|--|-----------------|-------|
| 98.7 ft Main Boom Length 30° Fly Offset | | | 98.7 ft Main Boom Length 45° Fly Offset | | |
| Radius (ft) | Fly Length (ft) | | Radius (ft) | Fly Length (ft) | |
| | 38 | 64 | | 38 | 64 |
| 45 | 10,100 | | 45 | | |
| 50 | 9,800 | | 50 | | |
| 55 | 9,500 | | 55 | 8,600 | |
| 60 | 9,300 | | 60 | 8,400 | |
| 65 | 9,000 | 5,400 | 65 | 8,300 | |
| 70 | 8,800 | 5,200 | 70 | 8,100 | |
| 75 | 8,600 | 5,100 | 75 | 8,000 | |
| 80 | 8,500 | 4,900 | 80 | 7,900 | 4,400 |
| 85 | 8,300 | 4,800 | 85 | 7,800 | 4,300 |
| 90 | 8,200 | 4,700 | 90 | 7,700 | 4,300 |
| 95 | 8,000 | 4,600 | 95 | 7,600 | 4,200 |
| 100 | 7,300 | 4,500 | 100 | 7,500 | 4,200 |
| 105 | 6,500 | 4,400 | 105 | 6,600 | 4,100 |
| 110 | 5,700 | 4,300 | 110 | | 4,100 |
| 115 | 5,100 | 4,200 | 115 | | 4,100 |
| 120 | 4,400 | 4,200 | 120 | | 4,100 |
| 125 | | 4,100 | 125 | | 4,100 |
| 130 | | 4,100 | 130 | | 4,100 |
| 135 | | 4,100 | 135 | | 4,100 |
| 140 | | 3,700 | 140 | | |
| 145 | | 3,200 | 145 | | |

This information is not for crane operation. Operator must refer to the in-cab information for crane operation. Rated lifting capacities shown on fully extended outriggers do not exceed 85% of the tipping loads and on tires do not exceed 75% of the tipping loads.

| 18,400 lb Counterweight – Fully Extended Outriggers – 360° Rotation (All Capacities Are Listed In Pounds) | | | | | | | | | |
|--|-----------------|-------|-------|-------|---|-----------------|-------|-------|-------|
| 127 ft Main Boom Length 2° Fly Offset | | | | | 127 ft Main Boom Length 15° Fly Offset | | | | |
| Radius (ft) | Fly Length (ft) | | | | Radius (ft) | Fly Length (ft) | | | |
| | 38 | 64 | 80 | 96 | | 38 | 64 | 80 | 96 |
| 35 | 10,900 | | | | 35 | | | | |
| 40 | 10,900 | | | | 40 | | | | |
| 45 | 10,900 | 7,300 | | | 45 | 10,400 | | | |
| 50 | 10,900 | 7,300 | 5,800 | | 50 | 10,300 | | | |
| 55 | 10,900 | 7,200 | 5,800 | 4,500 | 55 | 10,100 | | | |
| 60 | 10,900 | 7,100 | 5,800 | 4,500 | 60 | 9,900 | | | |
| 65 | 10,700 | 6,900 | 5,800 | 4,500 | 65 | 9,700 | 6,100 | 5,600 | |
| 70 | 10,500 | 6,800 | 5,800 | 4,500 | 70 | 9,500 | 6,000 | 5,300 | 4,200 |
| 75 | 10,200 | 6,600 | 5,800 | 4,500 | 75 | 9,300 | 5,800 | 5,000 | 3,900 |
| 80 | 9,600 | 6,500 | 5,500 | 4,100 | 80 | 9,000 | 5,600 | 4,700 | 3,700 |
| 85 | 9,100 | 6,300 | 5,200 | 3,900 | 85 | 8,500 | 5,500 | 4,400 | 3,400 |
| 90 | 8,600 | 6,100 | 4,900 | 3,600 | 90 | 8,100 | 5,300 | 4,200 | 3,200 |
| 95 | 7,700 | 5,900 | 4,600 | 3,400 | 95 | 7,800 | 5,200 | 4,000 | 3,000 |
| 100 | 6,900 | 5,700 | 4,400 | 3,200 | 100 | 7,300 | 5,100 | 3,800 | 2,800 |
| 105 | 6,200 | 5,400 | 4,200 | 3,000 | 105 | 6,500 | 4,900 | 3,600 | 2,600 |
| 110 | 5,500 | 5,100 | 4,000 | 2,800 | 110 | 5,800 | 4,700 | 3,500 | 2,500 |
| 115 | 4,900 | 4,900 | 3,800 | 2,600 | 115 | 5,200 | 4,500 | 3,300 | 2,300 |
| 120 | 4,400 | 4,700 | 3,600 | 2,500 | 120 | 4,700 | 4,300 | 3,200 | 2,200 |
| 125 | 3,900 | 4,500 | 3,400 | 2,300 | 125 | 4,200 | 4,100 | 3,000 | 2,100 |
| 130 | 3,500 | 4,000 | 3,300 | 2,200 | 130 | 3,700 | 4,000 | 2,900 | 1,900 |
| 135 | 3,100 | 3,600 | 3,200 | 2,100 | 135 | 3,300 | 3,800 | 2,800 | 1,800 |
| 140 | 2,700 | 3,200 | 3,000 | 2,000 | 140 | 2,900 | 3,600 | 2,700 | 1,700 |
| 145 | 2,400 | 2,900 | 2,700 | 1,800 | 145 | 2,500 | 3,200 | 2,600 | 1,600 |
| 150 | 2,100 | 2,600 | 2,400 | 1,700 | 150 | 2,200 | 2,900 | 2,500 | 1,500 |
| 155 | 1,800 | 2,300 | 2,100 | 1,700 | 155 | 1,800 | 2,500 | 2,400 | 1,500 |
| 160 | | 2,000 | 1,800 | 1,600 | 160 | | 2,200 | 2,100 | 1,400 |
| 165 | | 1,700 | 1,500 | 1,500 | 165 | | 1,900 | 1,800 | 1,300 |
| 170 | | 1,500 | 1,300 | 1,200 | 170 | | 1,700 | 1,500 | 1,300 |
| 175 | | 1,300 | 1,100 | 1,000 | 175 | | 1,400 | 1,300 | 1,200 |
| 180 | | 1,100 | | | 180 | | 1,100 | 1,000 | 1,000 |

This information is not for crane operation. Operator must refer to the in-cab information for crane operation. Rated lifting capacities shown on fully extended outriggers do not exceed 85% of the tipping loads and on tires do not exceed 75% of the tipping loads.

| 18,400 lb Counterweight – Fully Extended Outriggers – 360° Rotation (All Capacities Are Listed In Pounds) | | | | | | | | | |
|--|-----------------|-------|-------|-------|---|-----------------|-------|-------|-------|
| 127 ft Main Boom Length 30° Fly Offset | | | | | 127 ft Main Boom Length 45° Fly Offset | | | | |
| Radius (ft) | Fly Length (ft) | | | | Radius (ft) | Fly Length (ft) | | | |
| | 38 | 64 | 80 | 96 | | 38 | 64 | 80 | 96 |
| 55 | 9,100 | | | | 55 | | | | |
| 60 | 8,900 | | | | 60 | | | | |
| 65 | 8,700 | | | | 65 | 8,100 | | | |
| 70 | 8,600 | | | | 70 | 8,000 | | | |
| 75 | 8,500 | | | | 75 | 7,900 | | | |
| 80 | 8,300 | 4,900 | 3,900 | | 80 | 7,700 | | | |
| 85 | 8,000 | 4,800 | 3,700 | 3,000 | 85 | 7,700 | | | |
| 90 | 7,700 | 4,700 | 3,500 | 2,800 | 90 | 7,400 | 4,200 | 3,100 | |
| 95 | 7,400 | 4,600 | 3,400 | 2,600 | 95 | 7,200 | 4,200 | 2,900 | 2,300 |
| 100 | 7,100 | 4,500 | 3,200 | 2,400 | 100 | 6,900 | 4,100 | 2,800 | 2,200 |
| 105 | 6,800 | 4,400 | 3,100 | 2,300 | 105 | 6,700 | 4,100 | 2,700 | 2,100 |
| 110 | 6,100 | 4,300 | 2,900 | 2,200 | 110 | 6,300 | 4,100 | 2,600 | 1,900 |
| 115 | 5,500 | 4,200 | 2,800 | 2,000 | 115 | 5,600 | 4,000 | 2,500 | 1,800 |
| 120 | 4,900 | 4,000 | 2,700 | 1,900 | 120 | 5,000 | 3,900 | 2,500 | 1,700 |
| 125 | 4,400 | 3,900 | 2,600 | 1,800 | 125 | 4,400 | 3,800 | 2,400 | 1,600 |
| 130 | 3,900 | 3,700 | 2,500 | 1,700 | 130 | 3,900 | 3,600 | 2,300 | 1,500 |
| 135 | 3,400 | 3,600 | 2,500 | 1,600 | 135 | | 3,500 | 2,300 | 1,500 |
| 140 | 3,000 | 3,500 | 2,400 | 1,500 | 140 | | 3,400 | 2,200 | 1,400 |
| 145 | 2,600 | 3,400 | 2,300 | 1,400 | 145 | | 3,400 | 2,200 | 1,300 |
| 150 | | 3,100 | 2,300 | 1,300 | 150 | | 3,300 | 2,100 | 1,200 |
| 155 | | 2,800 | 2,200 | 1,300 | 155 | | 2,800 | 2,100 | 1,200 |
| 160 | | 2,400 | 2,200 | 1,200 | 160 | | 2,400 | 2,100 | 1,100 |
| 165 | | 2,100 | 2,000 | 1,200 | 165 | | | 2,100 | 1,100 |
| 170 | | 1,700 | 1,700 | 1,100 | 170 | | | 1,800 | 1,100 |
| 175 | | 1,400 | 1,400 | 1,100 | 175 | | | | 1,000 |
| 180 | | | 1,200 | 1,100 | 180 | | | | 1,000 |
| 185 | | | | | 185 | | | | 1,000 |

This information is not for crane operation. Operator must refer to the in-cab information for crane operation. Rated lifting capacities shown on fully extended outriggers do not exceed 85% of the tipping loads and on tires do not exceed 75% of the tipping loads.

Main Boom Lift Capacity Charts – Metric B30.5 – Standard

| 0t Counterweight – Fully Extended Outriggers – 360° Rotation (All Capacities Are Listed In Kilograms) | | | | | | | | | | | | |
|--|-----------------|--------|--------|--------|--------|--------|--------|--------|--------|--------|--------|---------------|
| Radius (m) | Boom Length (m) | | | | | | | | | | | Radius (m) |
| | 12.5 | 15.2 | 18.3 | 21.3 | 24.4 | 27.4 | 30.1 | 30.5 | 33.5 | 36.6 | 38.71 | |
| 3 | 57 600 | 50 450 | 48 450 | 33 750 | | | | | | | | 3 |
| 3.5 | 48 800 | 48 250 | 48 450 | 33 750 | 36 700 | | | | | | | 3.5 |
| 4 | 42 150 | 42 750 | 43 250 | 32 650 | 35 000 | | | | | | | 4 |
| 4.5 | 36 900 | 37 550 | 38 100 | 31 350 | 35 000 | 27 850 | | | | | | 4.5 |
| 5 | 32 750 | 33 600 | 33 900 | 30 050 | 33 800 | 27 850 | | | | | | 5 |
| 6 | 26 400 | 27 300 | 27 650 | 27 850 | 27 900 | 26 150 | 21 750 | 19 400 | 13 200 | | | 6 |
| 7 | 21 850 | 22 750 | 23 250 | 23 450 | 23 350 | 23 250 | 20 200 | 18 100 | 14 850 | 11 550 | 10 250 | 7 |
| 8 | 18 100 | 19 200 | 19 750 | 20 000 | 19 850 | 19 750 | 18 750 | 16 950 | 14 850 | 11 550 | 10 250 | 8 |
| 9 | 14 350 | 15 450 | 16 150 | 16 250 | 16 100 | 16 000 | 15 900 | 15 900 | 14 700 | 11 550 | 10 250 | 9 |
| 10 | 11 550 | 12 700 | 13 400 | 13 450 | 13 650 | 13 600 | 13 200 | 13 500 | 13 350 | 11 550 | 10 250 | 10 |
| 12 | | 8 700 | 9 450 | 9 900 | 10 000 | 10 100 | 9 250 | 10 100 | 10 000 | 9 850 | 9 800 | 12 |
| 14 | | | 6 950 | 7 350 | 7 500 | 7 600 | 6 800 | 7 600 | 7 450 | 7 350 | 7 300 | 14 |
| 16 | | | 5 250 | 5 700 | 5 800 | 5 900 | 5 150 | 5 900 | 5 750 | 5 700 | 5 650 | 16 |
| 18 | | | | 4 450 | 4 600 | 4 700 | 3 950 | 4 700 | 4 600 | 4 500 | 4 450 | 18 |
| 20 | | | | | 3 650 | 3 750 | 3 050 | 3 800 | 3 650 | 3 550 | 3 500 | 20 |
| 22 | | | | | 2 900 | 3 050 | 2 350 | 3 050 | 2 950 | 2 850 | 2 800 | 22 |
| 24 | | | | | | 2 450 | 1 800 | 2 450 | 2 350 | 2 250 | 2 200 | 24 |
| 26 | | | | | | | 1 300 | 2 000 | 1 900 | 1 800 | 1 750 | 26 |
| 28 | | | | | | | | 1 550 | 1 500 | 1 400 | 1 350 | 28 |
| 30 | | | | | | | | | 1 150 | 1 050 | 1 000 | 30 |
| 32 | | | | | | | | | | 750 | 700 | 32 |
| 34 | | | | | | | | | | 500 | | 34 |

This information is not for crane operation. Operator must refer to the in-cab information for crane operation. Rated lifting capacities shown on fully extended outriggers do not exceed 85% of the tipping loads and on tires do not exceed 75% of the tipping loads.

| 0t Counterweight – On Tires – Stationary – Boom Centered Over Rear (All Capacities Are Listed In Kilograms) | | | | | | | |
|---|-----------------|--------|--------|-------|-------|-------|------------|
| Radius (m) | Boom Length (m) | | | | | | Radius (m) |
| | 12.5 | 15.2 | 18.3 | 21.3 | 24.4 | 27.4 | |
| 3 | 15 300 | | | | | | 3 |
| 3.5 | 15 300 | 14 250 | | | | | 3.5 |
| 4 | 13 200 | 14 050 | 12 000 | | | | 4 |
| 4.5 | 10 900 | 11 750 | 12 000 | 9 200 | | | 4.5 |
| 5 | 9 150 | 10 000 | 10 550 | 9 200 | | | 5 |
| 6 | 6 600 | 7 400 | 8 000 | 8 300 | 7 500 | | 6 |
| 7 | 4 850 | 5 650 | 6 200 | 6 550 | 6 650 | | 7 |
| 8 | 3 600 | 4 350 | 4 900 | 5 300 | 5 400 | 5 250 | 8 |
| 9 | 2 650 | 3 400 | 3 950 | 4 300 | 4 400 | 4 500 | 9 |
| 10 | 1 850 | 2 600 | 3 150 | 3 500 | 3 650 | 3 750 | 10 |
| 12 | | 1 500 | 2 000 | 2 350 | 2 500 | 2 550 | 12 |
| 14 | | | 1 200 | 1 550 | 1 700 | 1 750 | 14 |
| 16 | | | 650 | 950 | 1 100 | 1 200 | 16 |
| 18 | | | | | 650 | 700 | 18 |

| 0t Counterweight – On Tires – Pick & Carry (1 km/h) – Boom Centered Over Rear (All Capacities Are Listed In Kilograms) | | | | | | | |
|--|-----------------|--------|-------|-------|-------|-------|------------|
| Radius (m) | Boom Length (m) | | | | | | Radius (m) |
| | 12.5 | 15.2 | 18.3 | 21.3 | 24.4 | 27.4 | |
| 3 | 10 800 | | | | | | 3 |
| 3.5 | 10 800 | 10 050 | | | | | 3.5 |
| 4 | 10 150 | 10 050 | 9 850 | | | | 4 |
| 4.5 | 9 300 | 9 750 | 9 850 | 9 200 | | | 4.5 |
| 5 | 8 550 | 9 050 | 9 350 | 9 200 | | | 5 |
| 6 | 6 600 | 7 400 | 8 000 | 8 300 | 7 500 | | 6 |
| 7 | 4 850 | 5 650 | 6 200 | 6 550 | 6 650 | | 7 |
| 8 | 3 600 | 4 350 | 4 900 | 5 300 | 5 400 | 5 250 | 8 |
| 9 | 2 650 | 3 400 | 3 950 | 4 300 | 4 400 | 4 500 | 9 |
| 10 | 1 850 | 2 600 | 3 150 | 3 500 | 3 650 | 3 750 | 10 |
| 12 | | 1 500 | 2 000 | 2 350 | 2 500 | 2 550 | 12 |
| 14 | | | 1 200 | 1 550 | 1 700 | 1 750 | 14 |
| 16 | | | 650 | 950 | 1 100 | 1 200 | 16 |
| 18 | | | | | 650 | 700 | 18 |

This information is not for crane operation. Operator must refer to the in-cab information for crane operation. Rated lifting capacities shown on fully extended outriggers do not exceed 85% of the tipping loads and on tires do not exceed 75% of the tipping loads.

4.8t Counterweight – Fully Extended Outriggers – 360° Rotation
 (All Capacities Are Listed In Kilograms)

| Radius (m) | Boom Length (m) | | | | | | | | | | Radius (m) | |
|---------------|-----------------|--------|--------|--------|--------|--------|--------|--------|--------|--------|---------------|-------|
| | 12.5 | 15.2 | 18.3 | 21.3 | 24.4 | 27.4 | 30.1 | 30.5 | 33.5 | 36.6 | | 38.71 |
| 2.5 | 70 000* | | | | | | | | | | | 2.5 |
| 3 | 63 150** | 50 450 | 48 450 | 33 750 | | | | | | | | 3 |
| 3.5 | 53 800 | 48 250 | 48 450 | 33 750 | 36 700 | | | | | | | 3.5 |
| 4 | 46 550 | 46 300 | 47 550 | 32 650 | 35 000 | | | | | | | 4 |
| 4.5 | 40 850 | 41 450 | 41 950 | 31 350 | 35 000 | 27 850 | | | | | | 4.5 |
| 5 | 36 250 | 36 900 | 37 400 | 30 050 | 35 000 | 27 850 | | | | | | 5 |
| 6 | 29 350 | 30 250 | 30 550 | 27 850 | 30 450 | 26 150 | 21 750 | 19 400 | 13 200 | | | 6 |
| 7 | 24 400 | 25 300 | 25 600 | 25 950 | 25 900 | 23 900 | 20 200 | 18 100 | 14 850 | 11 550 | 10 250 | 7 |
| 8 | 20 650 | 21 550 | 22 050 | 22 300 | 22 200 | 21 900 | 18 750 | 16 950 | 14 850 | 11 550 | 10 250 | 8 |
| 9 | 17 750 | 18 650 | 19 150 | 19 350 | 19 300 | 19 200 | 17 450 | 15 900 | 14 700 | 11 550 | 10 250 | 9 |
| 10 | 15 400 | 16 300 | 16 800 | 17 050 | 17 000 | 16 950 | 16 300 | 14 800 | 13 800 | 11 550 | 10 250 | 10 |
| 12 | | 12 000 | 12 750 | 12 800 | 13 000 | 12 850 | 12 550 | 12 850 | 12 250 | 11 450 | 10 250 | 12 |
| 14 | | | 9 800 | 9 950 | 10 350 | 10 300 | 9 700 | 10 000 | 10 050 | 10 250 | 10 150 | 14 |
| 16 | | | 7 750 | 8 200 | 8 300 | 8 400 | 7 650 | 8 400 | 8 250 | 8 150 | 8 100 | 16 |
| 18 | | | | 6 600 | 6 750 | 6 800 | 6 100 | 6 800 | 6 700 | 6 600 | 6 550 | 18 |
| 20 | | | | | 5 550 | 5 650 | 4 950 | 5 650 | 5 550 | 5 450 | 5 400 | 20 |
| 22 | | | | | 4 600 | 4 700 | 4 050 | 4 750 | 4 650 | 4 550 | 4 500 | 22 |
| 24 | | | | | | 3 950 | 3 300 | 4 000 | 3 900 | 3 800 | 3 750 | 24 |
| 26 | | | | | | | 2 700 | 3 350 | 3 250 | 3 200 | 3 100 | 26 |
| 28 | | | | | | | | 2 850 | 2 750 | 2 650 | 2 600 | 28 |
| 30 | | | | | | | | | 2 300 | 2 250 | 2 200 | 30 |
| 32 | | | | | | | | | 1 550 | 1 850 | 1 800 | 32 |
| 34 | | | | | | | | | | 1 550 | 1 500 | 34 |
| 36 | | | | | | | | | | | 1 200 | 36 |

* Over the rear capacity and requires special equipment

** Requires special equipment

This information is not for crane operation. Operator must refer to the in-cab information for crane operation. Rated lifting capacities shown on fully extended outriggers do not exceed 85% of the tipping loads and on tires do not exceed 75% of the tipping loads.

4.8t Counterweight – On Tires – Stationary – Boom Centered Over Rear
(All Capacities Are Listed In Kilograms)

| Radius (m) | Boom Length (m) | | | | | | Radius (m) |
|------------|-----------------|--------|--------|--------|-------|-------|------------|
| | 12.5 | 15.2 | 18.3 | 21.3 | 24.4 | 27.4 | |
| 3 | 15 200 | | | | | | 3 |
| 3.5 | 14 450 | 14 200 | | | | | 3.5 |
| 4 | 13 350 | 13 800 | 13 800 | | | | 4 |
| 4.5 | 12 400 | 12 800 | 13 150 | 10 700 | | | 4.5 |
| 5 | 11 500 | 11 950 | 12 300 | 10 700 | | | 5 |
| 6 | 9 700 | 10 450 | 10 800 | 10 700 | 8 150 | | 6 |
| 7 | 7 450 | 8 250 | 8 800 | 9 150 | 8 150 | | 7 |
| 8 | 5 850 | 6 600 | 7 150 | 7 500 | 7 600 | 6 300 | 8 |
| 9 | 4 600 | 5 350 | 5 900 | 6 250 | 6 350 | 6 300 | 9 |
| 10 | 3 650 | 4 400 | 4 900 | 5 250 | 5 400 | 5 500 | 10 |
| 12 | | 2 950 | 3 450 | 3 800 | 3 950 | 4 050 | 12 |
| 14 | | | 2 450 | 2 800 | 2 900 | 3 000 | 14 |
| 16 | | | 1 700 | 2 050 | 2 150 | 2 250 | 16 |
| 18 | | | | 1 450 | 1 600 | 1 650 | 18 |
| 20 | | | | | 1 100 | 1 200 | 20 |
| 22 | | | | | 750 | 850 | 22 |

4.8t Counterweight – On Tires – Pick & Carry (1 km/h) – Boom Centered Over Rear
(All Capacities Are Listed In Kilograms)

| Radius (m) | Boom Length (m) | | | | | | Radius (m) |
|------------|-----------------|--------|-------|-------|-------|-------|------------|
| | 12.5 | 15.2 | 18.3 | 21.3 | 24.4 | 27.4 | |
| 3 | 10 750 | | | | | | 3 |
| 3.5 | 10 200 | 10 050 | | | | | 3.5 |
| 4 | 9 350 | 9 750 | 9 800 | | | | 4 |
| 4.5 | 8 550 | 9 000 | 9 300 | 9 150 | | | 4.5 |
| 5 | 7 850 | 8 350 | 8 650 | 8 850 | | | 5 |
| 6 | 6 650 | 7 150 | 7 500 | 7 750 | 7 450 | | 6 |
| 7 | 5 650 | 6 150 | 6 550 | 6 750 | 6 850 | | 7 |
| 8 | 4 750 | 5 350 | 5 750 | 5 950 | 6 050 | 5 950 | 8 |
| 9 | 4 000 | 4 600 | 5 000 | 5 300 | 5 400 | 5 450 | 9 |
| 10 | 3 350 | 3 950 | 4 400 | 4 700 | 4 800 | 4 850 | 10 |
| 12 | | 2 900 | 3 400 | 3 700 | 3 800 | 3 850 | 12 |
| 14 | | | 2 450 | 2 800 | 2 900 | 3 000 | 14 |
| 16 | | | 1 700 | 2 050 | 2 150 | 2 250 | 16 |
| 18 | | | | 1 450 | 1 600 | 1 650 | 18 |
| 20 | | | | | 1 100 | 1 200 | 20 |
| 22 | | | | | 750 | 850 | 22 |

This information is not for crane operation. Operator must refer to the in-cab information for crane operation. Rated lifting capacities shown on fully extended outriggers do not exceed 85% of the tipping loads and on tires do not exceed 75% of the tipping loads.

Main Boom Lift Capacity Charts – Metric B30.5 – Optional

| 6.4t Counterweight – Fully Extended Outriggers – 360° Rotation (All Capacities Are Listed In Kilograms) | | | | | | | | | | | | |
|--|-----------------|--------|--------|--------|--------|--------|--------|--------|--------|--------|--------|---------------|
| Radius (m) | Boom Length (m) | | | | | | | | | | | Radius (m) |
| | 12.5 | 15.2 | 18.3 | 21.3 | 24.4 | 27.4 | 30.1 | 30.5 | 33.5 | 36.6 | 38.71 | |
| 2.5 | 70 000* | | | | | | | | | | | 2.5 |
| 3 | 64 250** | 50 450 | 48 450 | 33 750 | | | | | | | | 3 |
| 3.5 | 55 500 | 48 250 | 48 450 | 33 750 | 36 700 | | | | | | | 3.5 |
| 4 | 48 000 | 46 300 | 48 450 | 32 650 | 35 000 | | | | | | | 4 |
| 4.5 | 42 150 | 42 750 | 43 250 | 31 350 | 35 000 | 27 850 | | | | | | 4.5 |
| 5 | 37 450 | 38 050 | 38 600 | 30 050 | 35 000 | 27 850 | | | | | | 5 |
| 6 | 30 350 | 31 200 | 31 550 | 27 850 | 31 450 | 26 150 | 21 750 | 19 400 | 13 200 | | | 6 |
| 7 | 25 250 | 26 150 | 26 450 | 25 950 | 26 750 | 23 900 | 20 200 | 18 100 | 14 850 | 11 550 | 10 250 | 7 |
| 8 | 21 400 | 22 300 | 22 700 | 23 050 | 22 950 | 21 900 | 18 750 | 16 950 | 14 850 | 11 550 | 10 250 | 8 |
| 9 | 18 400 | 19 300 | 19 800 | 20 050 | 19 950 | 19 900 | 17 450 | 15 900 | 14 700 | 11 550 | 10 250 | 9 |
| 10 | 16 000 | 16 900 | 17 400 | 17 600 | 17 550 | 17 500 | 16 300 | 14 800 | 13 800 | 11 550 | 10 250 | 10 |
| 12 | | 13 050 | 13 600 | 13 850 | 13 700 | 13 650 | 13 550 | 13 250 | 12 250 | 11 450 | 10 250 | 12 |
| 14 | | | 10 650 | 10 800 | 10 950 | 10 900 | 10 550 | 10 800 | 10 700 | 10 400 | 10 150 | 14 |
| 16 | | | 8 450 | 8 600 | 9 050 | 9 100 | 8 400 | 8 650 | 9 000 | 8 900 | 8 850 | 16 |
| 18 | | | | 7 250 | 7 400 | 7 500 | 6 800 | 7 550 | 7 400 | 7 300 | 7 250 | 18 |
| 20 | | | | | 6 150 | 6 250 | 5 600 | 6 250 | 6 150 | 6 050 | 6 000 | 20 |
| 22 | | | | | 5 150 | 5 300 | 4 600 | 5 300 | 5 200 | 5 100 | 5 050 | 22 |
| 24 | | | | | | 4 450 | 3 800 | 4 500 | 4 400 | 4 300 | 4 250 | 24 |
| 26 | | | | | | | 3 150 | 3 850 | 3 750 | 3 650 | 3 600 | 26 |
| 28 | | | | | | | | 3 250 | 3 200 | 3 100 | 3 050 | 28 |
| 30 | | | | | | | | | 2 700 | 2 650 | 2 600 | 30 |
| 32 | | | | | | | | | 1 900 | 2 200 | 2 200 | 32 |
| 34 | | | | | | | | | | 1 850 | 1 850 | 34 |
| 36 | | | | | | | | | | | 1 500 | 36 |

* Over the rear capacity and requires special equipment
** Requires special equipment

This information is not for crane operation. Operator must refer to the in-cab information for crane operation. Rated lifting capacities shown on fully extended outriggers do not exceed 85% of the tipping loads and on tires do not exceed 75% of the tipping loads.

6.4t Counterweight – On Tires – Stationary – Boom Centered Over Rear
(All Capacities Are Listed In Kilograms)

| Radius (m) | Boom Length (m) | | | | | | Radius (m) |
|------------|-----------------|--------|--------|--------|-------|-------|------------|
| | 12.5 | 15.2 | 18.3 | 21.3 | 24.4 | 27.4 | |
| 3 | 15 250 | | | | | | 3 |
| 3.5 | 14 200 | 14 200 | | | | | 3.5 |
| 4 | 13 100 | 13 500 | 13 800 | | | | 4 |
| 4.5 | 12 150 | 12 550 | 12 850 | 10 700 | | | 4.5 |
| 5 | 11 300 | 11 700 | 12 050 | 10 700 | | | 5 |
| 6 | 9 750 | 10 250 | 10 600 | 10 700 | 8 950 | | 6 |
| 7 | 8 350 | 9 000 | 9 400 | 9 600 | 8 950 | | 7 |
| 8 | 6 600 | 7 350 | 7 900 | 8 250 | 8 350 | 6 900 | 8 |
| 9 | 5 250 | 6 000 | 6 550 | 6 900 | 7 000 | 6 900 | 9 |
| 10 | 4 200 | 4 950 | 5 500 | 5 850 | 5 950 | 6 050 | 10 |
| 12 | | 3 400 | 3 950 | 4 300 | 4 400 | 4 500 | 12 |
| 14 | | | 2 850 | 3 200 | 3 300 | 3 400 | 14 |
| 16 | | | 2 050 | 2 400 | 2 500 | 2 600 | 16 |
| 18 | | | | 1 800 | 1 900 | 2 000 | 18 |
| 20 | | | | | 1 400 | 1 500 | 20 |
| 22 | | | | | 1 000 | 1 100 | 22 |
| 24 | | | | | | 0 750 | 24 |

6.4t Counterweight – On Tires – Pick & Carry (1 km/h) – Boom Centered Over Rear
(All Capacities Are Listed In Kilograms)

| Radius (m) | Boom Length (m) | | | | | | Radius (m) |
|------------|-----------------|-------|-------|-------|-------|-------|------------|
| | 12.5 | 15.2 | 18.3 | 21.3 | 24.4 | 27.4 | |
| 3 | 10 650 | | | | | | 3 |
| 3.5 | 9 900 | 9 950 | | | | | 3.5 |
| 4 | 9 050 | 9 450 | 9 700 | | | | 4 |
| 4.5 | 8 300 | 8 750 | 9 050 | 9 100 | | | 4.5 |
| 5 | 7 650 | 8 100 | 8 400 | 8 600 | | | 5 |
| 6 | 6 450 | 6 900 | 7 300 | 7 500 | 7 450 | | 6 |
| 7 | 5 450 | 5 950 | 6 350 | 6 600 | 6 650 | | 7 |
| 8 | 4 600 | 5 150 | 5 550 | 5 800 | 5 850 | 5 950 | 8 |
| 9 | 3 850 | 4 450 | 4 850 | 5 150 | 5 200 | 5 300 | 9 |
| 10 | 3 200 | 3 800 | 4 250 | 4 550 | 4 650 | 4 700 | 10 |
| 12 | | 2 800 | 3 250 | 3 550 | 3 650 | 3 750 | 12 |
| 14 | | | 2 450 | 2 750 | 2 850 | 2 950 | 14 |
| 16 | | | 1 800 | 2 100 | 2 250 | 2 350 | 16 |
| 18 | | | | 1 600 | 1 700 | 1 800 | 18 |
| 20 | | | | | 1 300 | 1 400 | 20 |
| 22 | | | | | 900 | 1 000 | 22 |
| 24 | | | | | | 700 | 24 |

This information is not for crane operation. Operator must refer to the in-cab information for crane operation. Rated lifting capacities shown on fully extended outriggers do not exceed 85% of the tipping loads and on tires do not exceed 75% of the tipping loads.

8.2t Counterweight – Fully Extended Outriggers – 360° Rotation
 (All Capacities Are Listed In Kilograms)

| Radius (m) | Boom Length (m) | | | | | | | | | | Radius (m) | |
|------------|-----------------|--------|--------|--------|--------|--------|--------|--------|--------|--------|------------|-------|
| | 12.5 | 15.2 | 18.3 | 21.3 | 24.4 | 27.4 | 30.1 | 30.5 | 33.5 | 36.6 | | 38.71 |
| 2.5 | 70 000* | | | | | | | | | | | 2.5 |
| 3 | 64 250** | 50 450 | 48 450 | 33 750 | | | | | | | | 3 |
| 3.5 | 57 250 | 48 250 | 48 450 | 33 750 | 36 700 | | | | | | | 3.5 |
| 4 | 49 600 | 46 300 | 48 450 | 32 650 | 35 000 | | | | | | | 4 |
| 4.5 | 43 600 | 44 200 | 44 650 | 31 350 | 35 000 | 27 850 | | | | | | 4.5 |
| 5 | 38 750 | 39 350 | 39 900 | 30 050 | 35 000 | 27 850 | | | | | | 5 |
| 6 | 31 400 | 32 200 | 32 600 | 27 850 | 32 500 | 26 150 | 21 750 | 19 400 | 13 200 | | | 6 |
| 7 | 26 200 | 27 050 | 27 400 | 25 950 | 27 350 | 23 900 | 20 200 | 18 100 | 14 850 | 11 550 | 10 250 | 7 |
| 8 | 22 250 | 23 100 | 23 450 | 23 800 | 23 700 | 21 900 | 18 750 | 16 950 | 14 850 | 11 550 | 10 250 | 8 |
| 9 | 19 150 | 20 000 | 20 500 | 20 750 | 20 650 | 20 250 | 17 450 | 15 900 | 14 700 | 11 550 | 10 250 | 9 |
| 10 | 16 650 | 17 550 | 18 050 | 18 250 | 18 200 | 18 150 | 16 300 | 14 800 | 13 800 | 11 550 | 10 250 | 10 |
| 12 | | 13 800 | 14 350 | 14 600 | 14 500 | 14 450 | 14 250 | 13 250 | 12 250 | 11 450 | 10 250 | 12 |
| 14 | | | 11 550 | 11 650 | 11 700 | 11 500 | 11 450 | 11 650 | 10 950 | 10 400 | 10 150 | 14 |
| 16 | | | 9 200 | 9 350 | 9 550 | 9 500 | 9 150 | 9 450 | 9 350 | 9 500 | 9 150 | 16 |
| 18 | | | | 7 850 | 8 100 | 8 200 | 7 500 | 7 800 | 8 100 | 8 000 | 7 900 | 18 |
| 20 | | | | | 6 750 | 6 850 | 6 200 | 6 900 | 6 800 | 6 700 | 6 650 | 20 |
| 22 | | | | | 5 750 | 5 850 | 5 200 | 5 850 | 5 750 | 5 700 | 5 650 | 22 |
| 24 | | | | | | 5 000 | 4 350 | 5 050 | 4 950 | 4 850 | 4 800 | 24 |
| 26 | | | | | | | 3 650 | 4 350 | 4 250 | 4 150 | 4 100 | 26 |
| 28 | | | | | | | | 3 750 | 3 650 | 3 550 | 3 500 | 28 |
| 30 | | | | | | | | | 3 150 | 3 050 | 3 000 | 30 |
| 32 | | | | | | | | | 2 300 | 2 600 | 2 550 | 32 |
| 34 | | | | | | | | | | 2 250 | 2 200 | 34 |
| 36 | | | | | | | | | | | 1 850 | 36 |

* Over the rear capacity and requires special equipment

** Requires special equipment

This information is not for crane operation. Operator must refer to the in-cab information for crane operation. Rated lifting capacities shown on fully extended outriggers do not exceed 85% of the tipping loads and on tires do not exceed 75% of the tipping loads.

8.2t Counterweight – On Tires – Stationary – Boom Centered Over Rear
(All Capacities Are Listed In Kilograms)

| Radius (m) | Boom Length (m) | | | | | | Radius (m) |
|------------|-----------------|--------|--------|--------|-------|-------|------------|
| | 12.5 | 15.2 | 18.3 | 21.3 | 24.4 | 27.4 | |
| 3 | 14 850 | | | | | | 3 |
| 3.5 | 13 850 | 13 850 | | | | | 3.5 |
| 4 | 12 800 | 13 200 | 13 450 | | | | 4 |
| 4.5 | 11 850 | 12 300 | 12 600 | 12 650 | | | 4.5 |
| 5 | 11 000 | 11 500 | 11 750 | 11 950 | | | 5 |
| 6 | 9 500 | 10 000 | 10 350 | 10 600 | 8 550 | | 6 |
| 7 | 8 250 | 8 800 | 9 150 | 9 400 | 8 550 | | 7 |
| 8 | 7 200 | 7 750 | 8 150 | 8 400 | 8 500 | 7 250 | 8 |
| 9 | 6 000 | 6 700 | 7 250 | 7 500 | 7 600 | 7 250 | 9 |
| 10 | 4 850 | 5 600 | 6 150 | 6 450 | 6 600 | 6 700 | 10 |
| 12 | | 3 950 | 4 500 | 4 800 | 4 950 | 5 050 | 12 |
| 14 | | | 3 300 | 3 650 | 3 800 | 3 850 | 14 |
| 16 | | | 2 450 | 2 800 | 2 900 | 3 000 | 16 |
| 18 | | | | 2 100 | 2 250 | 2 350 | 18 |
| 20 | | | | | 1 700 | 1 800 | 20 |
| 22 | | | | | 1 300 | 1 400 | 22 |
| 24 | | | | | | 1 050 | 24 |

8.2t Counterweight – On Tires – Pick & Carry (1 km/h) – Boom Centered Over Rear
(All Capacities Are Listed In Kilograms)

| Radius (m) | Boom Length (m) | | | | | | Radius (m) |
|------------|-----------------|-------|-------|-------|-------|-------|------------|
| | 12.5 | 15.2 | 18.3 | 21.3 | 24.4 | 27.4 | |
| 3 | 10 750 | | | | | | 3 |
| 3.5 | 9 500 | 9 850 | | | | | 3.5 |
| 4 | 8 750 | 9 000 | 9 350 | | | | 4 |
| 4.5 | 8 050 | 8 450 | 8 650 | 8 650 | | | 4.5 |
| 5 | 7 350 | 7 800 | 8 100 | 8 250 | | | 5 |
| 6 | 6 200 | 6 700 | 7 050 | 7 250 | 7 200 | | 6 |
| 7 | 5 250 | 5 750 | 6 100 | 6 350 | 6 450 | | 7 |
| 8 | 4 400 | 4 950 | 5 350 | 5 600 | 5 700 | 5 750 | 8 |
| 9 | 3 650 | 4 250 | 4 650 | 4 950 | 5 050 | 5 100 | 9 |
| 10 | 3 000 | 3 650 | 4 100 | 4 350 | 4 450 | 4 550 | 10 |
| 12 | | 2 650 | 3 100 | 3 400 | 3 500 | 3 600 | 12 |
| 14 | | | 2 300 | 2 650 | 2 750 | 2 800 | 14 |
| 16 | | | 1 700 | 2 000 | 2 100 | 2 200 | 16 |
| 18 | | | | 1 500 | 1 600 | 1 700 | 18 |
| 20 | | | | | 1 200 | 1 300 | 20 |
| 22 | | | | | 800 | 900 | 22 |
| 24 | | | | | | 600 | 24 |

This information is not for crane operation. Operator must refer to the in-cab information for crane operation. Rated lifting capacities shown on fully extended outriggers do not exceed 85% of the tipping loads and on tires do not exceed 75% of the tipping loads.

Fly Attachment Lift Capacity Charts – Metric B30.5 – Optional

| 0t Counterweight – Fully Extended Outriggers – 360° Rotation (All Capacities Are Listed In Kilograms) | | | | | |
|--|---------------|----------------|----------------|----------------|------------|
| 30.1m Main Boom Length – 11.58m Offset Fly Length | | | | | |
| Radius (m) | 2° Fly Offset | 15° Fly Offset | 30° Fly Offset | 45° Fly Offset | Radius (m) |
| 9 | 7 350** | | | | 9 |
| 10 | 7 200** | | | | 10 |
| 12 | 6 800** | 5 700 | | | 12 |
| 14 | 6 400** | 5 400 | 4 550 | | 14 |
| 16 | 5 850 | 5 150 | 4 400 | 3 900 | 16 |
| 18 | 4 650 | 4 900 | 4 250 | 3 800 | 18 |
| 20 | 3 700 | 4 050 | 4 100 | 3 750 | 20 |
| 22 | 2 950 | 3 250 | 3 550 | 3 650 | 22 |
| 24 | 2 350 | 2 600 | 2 900 | 3 050 | 24 |
| 26 | 1 900 | 2 100 | 2 300 | 2 450 | 26 |
| 28 | 1 450 | 1 650 | 1 850 | 1 950 | 28 |
| 30 | 1 150 | 1 300 | 1 450 | 1 500 | 30 |
| 32 | 850 | 0 950 | 1 100 | | 32 |
| 34 | 600 | 700 | 750 | | 34 |

** Requires special equipment

| 0t Counterweight – Fully Extended Outriggers – 360° Rotation (All Capacities Are Listed In Kilograms) | | | | | |
|--|---------------|----------------|----------------|----------------|------------|
| 38.71m Main Boom Length – 11.58m Offset Fly Length | | | | | |
| Radius (m) | 2° Fly Offset | 15° Fly Offset | 30° Fly Offset | 45° Fly Offset | Radius (m) |
| 10 | 4 950 | | | | 10 |
| 12 | 4 950 | | | | 12 |
| 14 | 4 950 | 4 700 | | | 14 |
| 16 | 4 950 | 4 600 | | | 16 |
| 18 | 4 750 | 4 500 | 4 050 | | 18 |
| 20 | 3 800 | 4 150 | 3 950 | 3 650 | 20 |
| 22 | 3 050 | 3 400 | 3 700 | 3 600 | 22 |
| 24 | 2 450 | 2 750 | 3 000 | 3 250 | 24 |
| 26 | 2 000 | 2 200 | 2 450 | 2 650 | 26 |
| 28 | 1 600 | 1 800 | 2 000 | 2 150 | 28 |
| 30 | 1 250 | 1 400 | 1 600 | 1 700 | 30 |
| 32 | 950 | 1 100 | 1 250 | 1 350 | 32 |
| 34 | 700 | 800 | 950 | 1 050 | 34 |
| 36 | | 600 | 700 | 750 | 36 |

This information is not for crane operation. Operator must refer to the in-cab information for crane operation. Rated lifting capacities shown on fully extended outriggers do not exceed 85% of the tipping loads and on tires do not exceed 75% of the tipping loads.

| 4.8t Counterweight – Fully Extended Outriggers – 360° Rotation (All Capacities Are Listed In Kilograms) | | | | | |
|--|----------------|-------|--|----------------|-------|
| 30.1m Main Boom Length 2° Fly Offset | | | 30.1m Main Boom Length 15° Fly Offset | | |
| Radius (m) | Fly Length (m) | | Radius (m) | Fly Length (m) | |
| | 11.58 | 19.51 | | 11.58 | 19.51 |
| 9 | 7 350** | | 9 | | |
| 10 | 7 200** | 4 750 | 10 | | |
| 12 | 6 800** | 4 500 | 12 | 5 700 | |
| 14 | 6 400** | 4 250 | 14 | 5 400 | |
| 16 | 6 050** | 3 950 | 16 | 5 150 | 3 250 |
| 18 | 5 700 | 3 700 | 18 | 4 900 | 3 050 |
| 20 | 5 400 | 3 450 | 20 | 4 650 | 2 900 |
| 22 | 4 650 | 3 250 | 22 | 4 450 | 2 750 |
| 24 | 3 900 | 3 050 | 24 | 4 150 | 2 600 |
| 26 | 3 250 | 2 900 | 26 | 3 500 | 2 500 |
| 28 | 2 750 | 2 700 | 28 | 2 950 | 2 400 |
| 30 | 2 300 | 2 600 | 30 | 2 450 | 2 300 |
| 32 | 1 950 | 2 300 | 32 | 2 050 | 2 200 |
| 34 | 1 600 | 2 000 | 34 | 1 700 | 2 100 |
| 36 | 1 300 | 1 700 | 36 | 1 400 | 1 900 |
| 38 | 1 050 | 1 450 | 38 | 1 100 | 1 600 |
| 40 | | 1 200 | 40 | | 1 350 |
| 42 | | 1 000 | 42 | | 1 100 |
| 44 | | 800 | 44 | | 900 |
| 46 | | 650 | 46 | | 700 |

** Requires special equipment

| 4.8t Counterweight – Fully Extended Outriggers – 360° Rotation (All Capacities Are Listed In Kilograms) | | | | | |
|--|----------------|-------|--|----------------|-------|
| 30.1m Main Boom Length 30° Fly Offset | | | 30.1m Main Boom Length 45° Fly Offset | | |
| Radius (m) | Fly Length (m) | | Radius (m) | Fly Length (m) | |
| | 11.58 | 19.51 | | 11.58 | 19.51 |
| 14 | 4 550 | | 14 | | |
| 16 | 4 400 | | 16 | 3 900 | |
| 18 | 4 250 | | 18 | 3 800 | |
| 20 | 4 100 | 2 450 | 20 | 3 750 | |
| 22 | 3 950 | 2 350 | 22 | 3 650 | |
| 24 | 3 850 | 2 250 | 24 | 3 550 | 2 000 |
| 26 | 3 700 | 2 150 | 26 | 3 500 | 1 950 |
| 28 | 3 100 | 2 100 | 28 | 3 250 | 1 900 |
| 30 | 2 600 | 2 050 | 30 | 2 700 | 1 900 |
| 32 | 2 200 | 2 000 | 32 | 2 200 | 1 850 |
| 34 | 1 800 | 1 950 | 34 | | 1 850 |
| 36 | 1 450 | 1 900 | 36 | | 1 850 |
| 38 | | 1 750 | 38 | | 1 850 |
| 40 | | 1 500 | 40 | | 1 550 |
| 42 | | 1 200 | 42 | | |
| 44 | | 950 | 44 | | |
| 46 | | | 46 | | |
| 48 | | | 48 | | |
| 50 | | | 50 | | |

This information is not for crane operation. Operator must refer to the in-cab information for crane operation. Rated lifting capacities shown on fully extended outriggers do not exceed 85% of the tipping loads and on tires do not exceed 75% of the tipping loads.

| 4.8t Counterweight – Fully Extended Outriggers – 360° Rotation (All Capacities Are Listed In Kilograms) | | | | | | | |
|--|----------------|-------|-------|---|----------------|-------|-------|
| 38.71m Main Boom Length 2° Fly Offset | | | | 38.71m Main Boom Length 15° Fly Offset | | | |
| Radius (m) | Fly Length (m) | | | Radius (m) | Fly Length (m) | | |
| | 11.58 | 19.51 | 24.38 | | 11.58 | 19.51 | 24.38 |
| 10 | 4 950 | | | 10 | | | |
| 12 | 4 950 | | | 12 | | | |
| 14 | 4 950 | 3 350 | 2 600 | 14 | 4 700 | | |
| 16 | 4 950 | 3 300 | 2 600 | 16 | 4 600 | | |
| 18 | 4 950 | 3 200 | 2 600 | 18 | 4 500 | | |
| 20 | 4 850 | 3 150 | 2 600 | 20 | 4 400 | 2 750 | 2 500 |
| 22 | 4 750 | 3 050 | 2 600 | 22 | 4 300 | 2 650 | 2 300 |
| 24 | 4 000 | 2 950 | 2 550 | 24 | 4 100 | 2 550 | 2 150 |
| 26 | 3 350 | 2 850 | 2 350 | 26 | 3 600 | 2 500 | 2 000 |
| 28 | 2 850 | 2 750 | 2 200 | 28 | 3 050 | 2 400 | 1 850 |
| 30 | 2 400 | 2 650 | 2 050 | 30 | 2 600 | 2 300 | 1 750 |
| 32 | 2 000 | 2 300 | 1 900 | 32 | 2 200 | 2 250 | 1 650 |
| 34 | 1 700 | 1 950 | 1 750 | 34 | 1 850 | 2 100 | 1 550 |
| 36 | 1 400 | 1 650 | 1 500 | 36 | 1 550 | 1 900 | 1 450 |
| 38 | 1 150 | 1 400 | 1 250 | 38 | 1 250 | 1 650 | 1 400 |
| 40 | 950 | 1 200 | 1 000 | 40 | 1 000 | 1 350 | 1 200 |
| 42 | 750 | 950 | 800 | 42 | 800 | 1 150 | 1 000 |
| 44 | 550 | 800 | 600 | 44 | 600 | 950 | 800 |
| 46 | | 600 | | 46 | | 750 | 600 |
| 48 | | | | 48 | | 600 | |

** Requires special equipment

| 4.8t Counterweight – Fully Extended Outriggers – 360° Rotation (All Capacities Are Listed In Kilograms) | | | | | | | |
|--|----------------|-------|-------|---|----------------|-------|-------|
| 38.71m Main Boom Length 30° Fly Offset | | | | 38.71m Main Boom Length 45° Fly Offset | | | |
| Radius (m) | Fly Length (m) | | | Radius (m) | Fly Length (m) | | |
| | 11.58 | 19.51 | 24.38 | | 11.58 | 19.51 | 24.38 |
| 18 | 4 050 | | | 18 | | | |
| 20 | 3 950 | | | 20 | 3 650 | | |
| 22 | 3 850 | | | 22 | 3 600 | | |
| 24 | 3 800 | 2 200 | | 24 | 3 500 | | |
| 26 | 3 600 | 2 150 | 1 650 | 26 | 3 450 | | |
| 28 | 3 250 | 2 100 | 1 550 | 28 | 3 300 | 1 900 | 1 350 |
| 30 | 2 750 | 2 050 | 1 500 | 30 | 2 900 | 1 850 | 1 300 |
| 32 | 2 350 | 2 000 | 1 400 | 32 | 2 450 | 1 850 | 1 250 |
| 34 | 2 000 | 1 950 | 1 300 | 34 | 2 050 | 1 850 | 1 200 |
| 36 | 1 650 | 1 850 | 1 250 | 36 | 1 700 | 1 800 | 1 100 |
| 38 | 1 350 | 1 750 | 1 200 | 38 | 1 400 | 1 700 | 1 100 |
| 40 | 1 100 | 1 550 | 1 150 | 40 | | 1 650 | 1 050 |
| 42 | 850 | 1 300 | 1 100 | 42 | | 1 400 | 1 000 |
| 44 | 650 | 1 100 | 950 | 44 | | 1 150 | 1 000 |
| 46 | | 850 | 750 | 46 | | 900 | 800 |
| 48 | | 700 | 550 | 48 | | 700 | 600 |
| 50 | | 500 | | 50 | | | |

This information is not for crane operation. Operator must refer to the in-cab information for crane operation. Rated lifting capacities shown on fully extended outriggers do not exceed 85% of the tipping loads and on tires do not exceed 75% of the tipping loads.

| 6.4t Counterweight – Fully Extended Outriggers – 360° Rotation (All Capacities Are Listed In Kilograms) | | | | | |
|--|----------------|-------|---|----------------|-------|
| 30.1m Main Boom Length 2° Fly Offset | | | 30.1m ft Main Boom Length 15° Fly Offset | | |
| Radius (m) | Fly Length (m) | | Radius (m) | Fly Length (m) | |
| | 11.58 | 19.51 | | 11.58 | 19.51 |
| 9 | 7 350** | | 9 | | |
| 10 | 7 200** | 4 750 | 10 | | |
| 12 | 6 800** | 4 500 | 12 | 5 700 | |
| 14 | 6 400** | 4 250 | 14 | 5 400 | |
| 16 | 6 050** | 3 950 | 16 | 5 150 | 3 250 |
| 18 | 5 700 | 3 700 | 18 | 4 900 | 3 050 |
| 20 | 5 400 | 3 450 | 20 | 4 650 | 2 900 |
| 22 | 5 100 | 3 250 | 22 | 4 450 | 2 750 |
| 24 | 4 400 | 3 050 | 24 | 4 300 | 2 600 |
| 26 | 3 750 | 2 900 | 26 | 3 950 | 2 500 |
| 28 | 3 150 | 2 700 | 28 | 3 350 | 2 400 |
| 30 | 2 700 | 2 600 | 30 | 2 850 | 2 300 |
| 32 | 2 300 | 2 450 | 32 | 2 400 | 2 200 |
| 34 | 1 950 | 2 300 | 34 | 2 050 | 2 100 |
| 36 | 1 650 | 2 000 | 36 | 1 700 | 2 050 |
| 38 | 1 350 | 1 750 | 38 | 1 400 | 1 900 |
| 40 | | 1 500 | 40 | | 1 650 |
| 42 | | 1 250 | 42 | | 1 400 |
| 44 | | 1 050 | 44 | | 1 150 |
| 46 | | 900 | 46 | | 950 |

** Requires special equipment

| 6.4t Counterweight – Fully Extended Outriggers – 360° Rotation (All Capacities Are Listed In Kilograms) | | | | | |
|--|----------------|-------|--|----------------|-------|
| 30.1m Main Boom Length 30° Fly Offset | | | 30.1m Main Boom Length 45° Fly Offset | | |
| Radius (m) | Fly Length (m) | | Radius (m) | Fly Length (m) | |
| | 11.58 | 19.51 | | 11.58 | 19.51 |
| 14 | 4 550 | | 14 | | |
| 16 | 4 400 | | 16 | 3 900 | |
| 18 | 4 250 | | 18 | 3 800 | |
| 20 | 4 100 | 2 450 | 20 | 3 750 | |
| 22 | 3 950 | 2 350 | 22 | 3 650 | |
| 24 | 3 850 | 2 250 | 24 | 3 550 | 2 000 |
| 26 | 3 750 | 2 150 | 26 | 3 500 | 1 950 |
| 28 | 3 550 | 2 100 | 28 | 3 450 | 1 900 |
| 30 | 3 000 | 2 050 | 30 | 3 100 | 1 900 |
| 32 | 2 550 | 2 000 | 32 | 2 600 | 1 850 |
| 34 | 2 150 | 1 950 | 34 | | 1 850 |
| 36 | 1 750 | 1 900 | 36 | | 1 850 |
| 38 | | 1 850 | 38 | | 1 850 |
| 40 | | 1 750 | 40 | | 1 850 |
| 42 | | 1 500 | 42 | | |
| 44 | | 1 200 | 44 | | |

This information is not for crane operation. Operator must refer to the in-cab information for crane operation. Rated lifting capacities shown on fully extended outriggers do not exceed 85% of the tipping loads and on tires do not exceed 75% of the tipping loads.

| 6.4t Counterweight – Fully Extended Outriggers – 360° Rotation (All Capacities Are Listed In Kilograms) | | | | | | | | | |
|--|----------------|-------|-------|-------|---|----------------|-------|-------|-------|
| 38.71m Main Boom Length 2° Fly Offset | | | | | 38.71m Main Boom Length 15° Fly Offset | | | | |
| Radius (m) | Fly Length (m) | | | | Radius (m) | Fly Length (m) | | | |
| | 11.58 | 19.51 | 24.38 | 29.26 | | 11.58 | 19.51 | 24.38 | 29.26 |
| 10 | 4 950 | | | | 10 | | | | |
| 12 | 4 950 | | | | 12 | | | | |
| 14 | 4 950 | 3 350 | 2 600 | | 14 | 4 700 | | | |
| 16 | 4 950 | 3 300 | 2 600 | 2 050 | 16 | 4 600 | | | |
| 18 | 4 950 | 3 200 | 2 600 | 2 050 | 18 | 4 500 | | | |
| 20 | 4 850 | 3 150 | 2 600 | 2 050 | 20 | 4 400 | 2 750 | 2 500 | |
| 22 | 4 750 | 3 050 | 2 600 | 2 050 | 22 | 4 300 | 2 650 | 2 300 | 1 850 |
| 24 | 4 450 | 2 950 | 2 550 | 1 900 | 24 | 4 100 | 2 550 | 2 150 | 1 700 |
| 26 | 3 850 | 2 850 | 2 350 | 1 750 | 26 | 3 850 | 2 500 | 2 000 | 1 550 |
| 28 | 3 250 | 2 750 | 2 200 | 1 600 | 28 | 3 500 | 2 400 | 1 850 | 1 400 |
| 30 | 2 800 | 2 650 | 2 050 | 1 450 | 30 | 3 000 | 2 300 | 1 750 | 1 300 |
| 32 | 2 400 | 2 450 | 1 900 | 1 350 | 32 | 2 550 | 2 250 | 1 650 | 1 200 |
| 34 | 2 050 | 2 300 | 1 750 | 1 250 | 34 | 2 200 | 2 100 | 1 550 | 1 100 |
| 36 | 1 750 | 2 000 | 1 650 | 1 150 | 36 | 1 850 | 2 000 | 1 450 | 1 000 |
| 38 | 1 450 | 1 700 | 1 550 | 1 050 | 38 | 1 550 | 1 900 | 1 400 | 950 |
| 40 | 1 200 | 1 450 | 1 300 | 1 000 | 40 | 1 300 | 1 650 | 1 300 | 850 |
| 42 | 1 000 | 1 250 | 1 050 | 900 | 42 | 1 100 | 1 400 | 1 250 | 800 |
| 44 | 800 | 1 050 | 850 | 850 | 44 | 850 | 1 200 | 1 050 | 750 |
| 46 | 650 | 850 | 650 | 650 | 46 | 700 | 1 000 | 850 | 700 |
| 48 | | 700 | 500 | | 48 | | 800 | 650 | 650 |
| 50 | | 550 | | | 50 | | 650 | 500 | |
| 52 | | | | | 52 | | 500 | | |

| 6.4t Counterweight – Fully Extended Outriggers – 360° Rotation (All Capacities Are Listed In Kilograms) | | | | | | | | | |
|--|----------------|-------|-------|-------|---|----------------|-------|-------|-------|
| 38.71m Main Boom Length 30° Fly Offset | | | | | 38.71m Main Boom Length 45° Fly Offset | | | | |
| Radius (m) | Fly Length (m) | | | | Radius (m) | Fly Length (m) | | | |
| | 11.58 | 19.51 | 24.38 | 29.26 | | 11.58 | 19.51 | 24.38 | 29.26 |
| 18 | 4 050 | | | | 18 | | | | |
| 20 | 3 950 | | | | 20 | 3 650 | | | |
| 22 | 3 850 | | | | 22 | 3 600 | | | |
| 24 | 3 800 | 2 200 | | | 24 | 3 500 | | | |
| 26 | 3 600 | 2 150 | 1 650 | 1 350 | 26 | 3 450 | | | |
| 28 | 3 450 | 2 100 | 1 550 | 1 200 | 28 | 3 300 | 1 900 | 1 350 | |
| 30 | 3 150 | 2 050 | 1 500 | 1 150 | 30 | 3 150 | 1 850 | 1 300 | 1 000 |
| 32 | 2 700 | 2 000 | 1 400 | 1 050 | 32 | 2 800 | 1 850 | 1 250 | 950 |
| 34 | 2 300 | 1 950 | 1 300 | 950 | 34 | 2 400 | 1 850 | 1 200 | 850 |
| 36 | 1 950 | 1 850 | 1 250 | 900 | 36 | 2 050 | 1 800 | 1 100 | 800 |
| 38 | 1 650 | 1 750 | 1 200 | 800 | 38 | 1 700 | 1 700 | 1 100 | 750 |
| 40 | 1 400 | 1 650 | 1 150 | 750 | 40 | | 1 650 | 1 050 | 700 |
| 42 | 1 150 | 1 600 | 1 100 | 700 | 42 | | 1 550 | 1 000 | 650 |
| 44 | 900 | 1 350 | 1 050 | 650 | 44 | | 1 400 | 1 000 | 600 |
| 46 | | 1 100 | 1 000 | 600 | 46 | | 1 150 | 950 | 550 |
| 48 | | 900 | 750 | 550 | 48 | | 950 | 850 | 500 |
| 50 | | 700 | 600 | 550 | 50 | | | 600 | 500 |
| 52 | | 550 | | | 52 | | | | 500 |

This information is not for crane operation. Operator must refer to the in-cab information for crane operation. Rated lifting capacities shown on fully extended outriggers do not exceed 85% of the tipping loads and on tires do not exceed 75% of the tipping loads.

| 8.2t Counterweight – Fully Extended Outriggers – 360° Rotation (All Capacities Are Listed In Kilograms) | | | | | |
|---|----------------|-------|--|----------------|-------|
| 30.1m Main Boom Length 2° Fly Offset | | | 30.1m Main Boom Length 15° Fly Offset | | |
| Radius (m) | Fly Length (m) | | Radius (m) | Fly Length (m) | |
| | 11.58 | 19.51 | | 11.58 | 19.51 |
| 9 | 7 350** | | 9 | | |
| 10 | 7 200** | 4 750 | 10 | | |
| 12 | 6 800** | 4 500 | 12 | 5 700 | |
| 14 | 6 400** | 4 250 | 14 | 5 400 | |
| 16 | 6 050** | 3 950 | 16 | 5 150 | 3 250 |
| 18 | 5 700 | 3 700 | 18 | 4 900 | 3 050 |
| 20 | 5 400 | 3 450 | 20 | 4 650 | 2 900 |
| 22 | 5 100 | 3 250 | 22 | 4 450 | 2 750 |
| 24 | 4 800 | 3 050 | 24 | 4 300 | 2 600 |
| 26 | 4 250 | 2 900 | 26 | 4 100 | 2 500 |
| 28 | 3 650 | 2 700 | 28 | 3 800 | 2 400 |
| 30 | 3 150 | 2 600 | 30 | 3 300 | 2 300 |
| 32 | 2 700 | 2 450 | 32 | 2 800 | 2 200 |
| 34 | 2 300 | 2 350 | 34 | 2 400 | 2 100 |
| 36 | 2 000 | 2 200 | 36 | 2 050 | 2 050 |
| 38 | 1 700 | 2 050 | 38 | 1 750 | 2 000 |
| 40 | | 1 800 | 40 | | 1 950 |
| 42 | | 1 550 | 42 | | 1 700 |
| 44 | | 1 350 | 44 | | 1 450 |
| 46 | | 1 150 | 46 | | 1 200 |

** Requires special equipment

| 8.2t Counterweight – Fully Extended Outriggers – 360° Rotation (All Capacities Are Listed In Kilograms) | | | | | |
|---|----------------|-------|--|----------------|-------|
| 30.1m Main Boom Length 30° Fly Offset | | | 30.1m Main Boom Length 45° Fly Offset | | |
| Radius (m) | Fly Length (m) | | Radius (m) | Fly Length (m) | |
| | 11.58 | 19.51 | | 11.58 | 19.51 |
| 14 | 4 550 | | 14 | | |
| 16 | 4 400 | | 16 | 3 900 | |
| 18 | 4 250 | | 18 | 3 800 | |
| 20 | 4 100 | 2 450 | 20 | 3 750 | |
| 22 | 3 950 | 2 350 | 22 | 3 650 | |
| 24 | 3 850 | 2 250 | 24 | 3 550 | 2 000 |
| 26 | 3 750 | 2 150 | 26 | 3 500 | 1 950 |
| 28 | 3 700 | 2 100 | 28 | 3 450 | 1 900 |
| 30 | 3 450 | 2 050 | 30 | 3 450 | 1 900 |
| 32 | 2 950 | 2 000 | 32 | 3 000 | 1 850 |
| 34 | 2 500 | 1 950 | 34 | | 1 850 |
| 36 | 2 100 | 1 900 | 36 | | 1 850 |
| 38 | | 1 850 | 38 | | 1 850 |
| 40 | | 1 850 | 40 | | 1 850 |
| 42 | | 1 800 | 42 | | |
| 44 | | 1 500 | 44 | | |

This information is not for crane operation. Operator must refer to the in-cab information for crane operation. Rated lifting capacities shown on fully extended outriggers do not exceed 85% of the tipping loads and on tires do not exceed 75% of the tipping loads.

| 8.2t Counterweight – Fully Extended Outriggers – 360° Rotation (All Capacities Are Listed In Kilograms) | | | | | | | | | |
|--|----------------|-------|-------|-------|---|----------------|-------|-------|-------|
| 38.71m Main Boom Length 2° Fly Offset | | | | | 38.71m Main Boom Length 15° Fly Offset | | | | |
| Radius (m) | Fly Length (m) | | | | Radius (m) | Fly Length (m) | | | |
| | 11.58 | 19.51 | 24.38 | 29.26 | | 11.58 | 19.51 | 24.38 | 29.26 |
| 10 | 4 950 | | | | 10 | | | | |
| 12 | 4 950 | | | | 12 | | | | |
| 14 | 4 950 | 3 350 | 2 600 | | 14 | 4 700 | | | |
| 16 | 4 950 | 3 300 | 2 600 | 2 050 | 16 | 4 600 | | | |
| 18 | 4 950 | 3 200 | 2 600 | 2 050 | 18 | 4 500 | | | |
| 20 | 4 850 | 3 150 | 2 600 | 2 050 | 20 | 4 400 | 2 750 | 2 500 | |
| 22 | 4 750 | 3 050 | 2 600 | 2 050 | 22 | 4 300 | 2 650 | 2 300 | 1 850 |
| 24 | 4 450 | 2 950 | 2 550 | 1 900 | 24 | 4 100 | 2 550 | 2 150 | 1 700 |
| 26 | 4 150 | 2 850 | 2 350 | 1 750 | 26 | 3 850 | 2 500 | 2 000 | 1 550 |
| 28 | 3 750 | 2 750 | 2 200 | 1 600 | 28 | 3 600 | 2 400 | 1 850 | 1 400 |
| 30 | 3 250 | 2 650 | 2 050 | 1 450 | 30 | 3 400 | 2 300 | 1 750 | 1 300 |
| 32 | 2 800 | 2 450 | 1 900 | 1 350 | 32 | 2 950 | 2 250 | 1 650 | 1 200 |
| 34 | 2 400 | 2 300 | 1 750 | 1 250 | 34 | 2 550 | 2 100 | 1 550 | 1 100 |
| 36 | 2 100 | 2 150 | 1 650 | 1 150 | 36 | 2 200 | 2 000 | 1 450 | 1 000 |
| 38 | 1 800 | 2 050 | 1 550 | 1 050 | 38 | 1 900 | 1 900 | 1 400 | 950 |
| 40 | 1 550 | 1 800 | 1 500 | 1 000 | 40 | 1 600 | 1 800 | 1 300 | 850 |
| 42 | 1 300 | 1 550 | 1 350 | 900 | 42 | 1 350 | 1 700 | 1 250 | 800 |
| 44 | 1 100 | 1 300 | 1 150 | 850 | 44 | 1 150 | 1 500 | 1 200 | 750 |
| 46 | 900 | 1 150 | 950 | 800 | 46 | 950 | 1 250 | 1 100 | 700 |
| 48 | | 950 | 750 | 750 | 48 | | 1 050 | 900 | 650 |
| 50 | | 800 | 600 | 550 | 50 | | 900 | 700 | 600 |
| 52 | | 650 | | | 52 | | 750 | 550 | 550 |
| 54 | | 550 | | | 54 | | | | |

This information is not for crane operation. Operator must refer to the in-cab information for crane operation. Rated lifting capacities shown on fully extended outriggers do not exceed 85% of the tipping loads and on tires do not exceed 75% of the tipping loads.

| 8.2t Counterweight – Fully Extended Outriggers – 360° Rotation (All Capacities Are Listed In Kilograms) | | | | | | | | | |
|--|----------------|-------|-------|-------|---|----------------|-------|-------|-------|
| 38.71m Main Boom Length 30° Fly Offset | | | | | 38.71m Main Boom Length 45° Fly Offset | | | | |
| Radius (m) | Fly Length (m) | | | | Radius (m) | Fly Length (m) | | | |
| | 11.58 | 19.51 | 24.38 | 29.26 | | 11.58 | 19.51 | 24.38 | 29.26 |
| 18 | 4 050 | | | | 18 | | | | |
| 20 | 3 950 | | | | 20 | 3 650 | | | |
| 22 | 3 850 | | | | 22 | 3 600 | | | |
| 24 | 3 800 | 2 200 | | | 24 | 3 500 | | | |
| 26 | 3 600 | 2 150 | 1 650 | 1 350 | 26 | 3 450 | | | |
| 28 | 3 450 | 2 100 | 1 550 | 1 200 | 28 | 3 300 | 1 900 | 1 350 | |
| 30 | 3 250 | 2 050 | 1 500 | 1 150 | 30 | 3 150 | 1 850 | 1 300 | 1 000 |
| 32 | 3 100 | 2 000 | 1 400 | 1 050 | 32 | 3 050 | 1 850 | 1 250 | 950 |
| 34 | 2 700 | 1 950 | 1 300 | 950 | 34 | 2 750 | 1 850 | 1 200 | 850 |
| 36 | 2 300 | 1 850 | 1 250 | 900 | 36 | 2 400 | 1 800 | 1 100 | 800 |
| 38 | 2 000 | 1 750 | 1 200 | 800 | 38 | 2 050 | 1 700 | 1 100 | 750 |
| 40 | 1 700 | 1 650 | 1 150 | 750 | 40 | | 1 650 | 1 050 | 700 |
| 42 | 1 450 | 1 600 | 1 100 | 700 | 42 | | 1 550 | 1 000 | 650 |
| 44 | 1 200 | 1 550 | 1 050 | 650 | 44 | | 1 500 | 1 000 | 600 |
| 46 | | 1 400 | 1 000 | 600 | 46 | | 1 450 | 950 | 550 |
| 48 | | 1 150 | 1 000 | 550 | 48 | | 1 200 | 950 | 500 |
| 50 | | 950 | 850 | 550 | 50 | | | 850 | 500 |
| 52 | | 750 | 650 | 500 | 52 | | | | 500 |
| 54 | | | | 500 | 54 | | | | |

This information is not for crane operation. Operator must refer to the in-cab information for crane operation. Rated lifting capacities shown on fully extended outriggers do not exceed 85% of the tipping loads and on tires do not exceed 75% of the tipping loads.

Main Boom Lift Capacity Charts – Metric ISO – Optional

| 0t Counterweight – Fully Extended Outriggers – 360° Rotation (All Capacities Are Listed In Kilograms) | | | | | | | | | | | |
|--|-----------------|--------|--------|--------|--------|--------|--------|--------|--------|--------|---------------|
| Radius (m) | Boom Length (m) | | | | | | | | | | Radius (m) |
| | 12.5 | 15.2 | 18.3 | 21.3 | 24.4 | 27.4 | 30.5 | 33.5 | 36.6 | 38.71 | |
| 3 | 57 600 | 50 450 | 48 450 | 33 750 | | | | | | | 3 |
| 3.5 | 48 800 | 48 250 | 48 450 | 36 700 | 28 500 | | | | | | 3.5 |
| 4 | 42 150 | 42 750 | 43 250 | 35 000 | 28 500 | | | | | | 4 |
| 4.5 | 36 900 | 37 550 | 38 100 | 35 000 | 28 500 | 27 850 | | | | | 4.5 |
| 5 | 32 750 | 33 600 | 33 900 | 33 800 | 28 500 | 27 850 | | | | | 5 |
| 6 | 26 400 | 27 300 | 27 650 | 27 850 | 27 900 | 26 150 | 21 750 | 14 850 | | | 6 |
| 7 | 21 850 | 22 750 | 23 250 | 23 450 | 23 350 | 23 250 | 20 200 | 14 850 | 11 550 | 10 250 | 7 |
| 8 | 16 650 | 17 750 | 18 300 | 18 550 | 18 400 | 18 300 | 18 200 | 14 700 | 11 550 | 10 250 | 8 |
| 9 | 13 100 | 14 200 | 14 900 | 15 000 | 15 150 | 15 150 | 15 000 | 13 200 | 11 550 | 10 250 | 9 |
| 10 | 10 450 | 11 600 | 12 300 | 12 400 | 12 850 | 12 950 | 12 400 | 12 550 | 11 550 | 10 250 | 10 |
| 12 | | 7 850 | 8 600 | 9 050 | 9 150 | 9 250 | 9 250 | 9 150 | 9 000 | 8 950 | 12 |
| 14 | | | 6 250 | 6 700 | 6 800 | 6 900 | 6 900 | 6 750 | 6 650 | 6 600 | 14 |
| 16 | | | 4 600 | 5 100 | 5 250 | 5 300 | 5 350 | 5 200 | 5 100 | 5 050 | 16 |
| 18 | | | | 3 900 | 4 050 | 4 150 | 4 200 | 4 050 | 3 950 | 3 900 | 18 |
| 20 | | | | | 3 150 | 3 300 | 3 300 | 3 200 | 3 100 | 3 050 | 20 |
| 22 | | | | | 2 450 | 2 600 | 2 600 | 2 500 | 2 400 | 2 350 | 22 |
| 24 | | | | | | 2 000 | 2 050 | 1 950 | 1 850 | 1 800 | 24 |
| 26 | | | | | | | 1 600 | 1 500 | 1 400 | 1 350 | 26 |
| 28 | | | | | | | 1 200 | 1 100 | 1 050 | 1 000 | 28 |
| 30 | | | | | | | | 800 | 700 | 650 | 30 |
| 32 | | | | | | | | | 450 | 400 | 32 |

This information is not for crane operation. Operator must refer to the in-cab information for crane operation. Rated lifting capacities shown meet ISO 4305 standards.

| 0t Counterweight – On Tires – Stationary – Boom Centered Over Rear (All Capacities Are Listed In Kilograms) | | | | | | | |
|---|-----------------|--------|--------|-------|-------|-------|------------|
| Radius (m) | Boom Length (m) | | | | | | Radius (m) |
| | 12.5 | 15.2 | 18.3 | 21.3 | 24.4 | 27.4 | |
| 3 | 15 300 | | | | | | 3 |
| 3.5 | 14 200 | 14 250 | | | | | 3.5 |
| 4 | 12 850 | 13 550 | 12 000 | | | | 4 |
| 4.5 | 10 550 | 11 500 | 12 000 | 9 200 | | | 4.5 |
| 5 | 8 800 | 9 650 | 10 300 | 9 200 | | | 5 |
| 6 | 6 200 | 7 050 | 7 700 | 8 100 | 7 500 | | 6 |
| 7 | 4 500 | 5 300 | 5 900 | 6 300 | 6 400 | | 7 |
| 8 | 3 200 | 4 050 | 4 600 | 5 000 | 5 150 | 5 250 | 8 |
| 9 | 2 250 | 3 050 | 3 650 | 4 000 | 4 150 | 4 250 | 9 |
| 10 | 1 500 | 2 300 | 2 850 | 3 250 | 3 400 | 3 500 | 10 |
| 12 | | 1 150 | 1 700 | 2 100 | 2 250 | 2 350 | 12 |
| 14 | | | 900 | 1 300 | 1 400 | 1 500 | 14 |
| 16 | | | | 700 | 850 | 900 | 16 |
| 18 | | | | | | 450 | 18 |

| 0t Counterweight – On Tires – Pick & Carry (1 km/h) – Boom Centered Over Rear (All Capacities Are Listed In Kilograms) | | | | | | | |
|--|-----------------|--------|-------|-------|-------|-------|------------|
| Radius (m) | Boom Length (m) | | | | | | Radius (m) |
| | 12.5 | 15.2 | 18.3 | 21.3 | 24.4 | 27.4 | |
| 3 | 10 800 | | | | | | 3 |
| 3.5 | 9 950 | 10 050 | | | | | 3.5 |
| 4 | 9 100 | 9 550 | 9 850 | | | | 4 |
| 4.5 | 8 350 | 8 800 | 9 100 | 9 200 | | | 4.5 |
| 5 | 7 650 | 8 100 | 8 450 | 8 650 | | | 5 |
| 6 | 5 550 | 6 300 | 6 850 | 7 200 | 7 300 | | 6 |
| 7 | 4 000 | 4 750 | 5 300 | 5 650 | 5 750 | | 7 |
| 8 | 2 850 | 3 600 | 4 150 | 4 500 | 4 600 | 4 700 | 8 |
| 9 | 2 000 | 2 750 | 3 250 | 3 600 | 3 700 | 3 800 | 9 |
| 10 | 1 300 | 2 050 | 2 550 | 2 900 | 3 000 | 3 100 | 10 |
| 12 | | 1 050 | 1 550 | 1 850 | 2 000 | 2 050 | 12 |
| 14 | | | 800 | 1 150 | 1 250 | 1 350 | 14 |
| 16 | | | | 600 | 750 | 800 | 16 |
| 18 | | | | | | 400 | 18 |

This information is not for crane operation. Operator must refer to the in-cab information for crane operation. Rated lifting capacities shown meet ISO 4305 standards.

4.8t Counterweight – Fully Extended Outriggers – 360° Rotation
 (All Capacities Are Listed In Kilograms)

| Radius (m) | Boom Length (m) | | | | | | | | | | Radius (m) | |
|------------|-----------------|--------|--------|--------|--------|--------|--------|--------|--------|--------|------------|-----|
| | 12.5 | 15.2 | 18.3 | 21.3 | 24.4 | 27.4 | 30.5 | 33.5 | 36.6 | 38.71 | | |
| 2.5 | 70 000* | | | | | | | | | | | 2.5 |
| 3 | 63 150** | 50 450 | 48 450 | 33 750 | | | | | | | | 3 |
| 3.5 | 53 800 | 48 250 | 48 450 | 36 700 | 28 500 | | | | | | | 3.5 |
| 4 | 46 550 | 46 300 | 47 550 | 35 000 | 28 500 | | | | | | | 4 |
| 4.5 | 40 850 | 41 450 | 41 950 | 35 000 | 28 500 | 27 850 | | | | | | 4.5 |
| 5 | 36 250 | 36 900 | 37 400 | 35 000 | 28 500 | 27 850 | | | | | | 5 |
| 6 | 29 350 | 30 250 | 30 550 | 30 450 | 28 500 | 26 150 | 21 750 | 14 850 | | | | 6 |
| 7 | 24 400 | 25 300 | 25 600 | 25 950 | 25 900 | 23 900 | 20 200 | 14 850 | 11 550 | 10 250 | | 7 |
| 8 | 20 650 | 21 550 | 22 050 | 22 300 | 22 200 | 21 900 | 18 750 | 14 700 | 11 550 | 10 250 | | 8 |
| 9 | 17 350 | 18 450 | 19 000 | 19 250 | 19 100 | 19 000 | 17 450 | 13 800 | 11 550 | 10 250 | | 9 |
| 10 | 14 150 | 15 250 | 15 850 | 16 050 | 15 950 | 15 850 | 15 750 | 12 550 | 11 550 | 10 250 | | 10 |
| 12 | | 10 950 | 11 700 | 11 800 | 11 950 | 11 900 | 11 800 | 11 200 | 11 450 | 10 250 | | 12 |
| 14 | | | 8 900 | 9 350 | 9 500 | 9 600 | 9 550 | 9 450 | 9 350 | 9 300 | | 14 |
| 16 | | | 6 950 | 7 400 | 7 550 | 7 650 | 7 650 | 7 500 | 7 400 | 7 350 | | 16 |
| 18 | | | | 5 900 | 6 050 | 6 150 | 6 150 | 6 050 | 5 950 | 5 850 | | 18 |
| 20 | | | | | 4 950 | 5 050 | 5 100 | 4 950 | 4 850 | 4 800 | | 20 |
| 22 | | | | | 4 050 | 4 150 | 4 200 | 4 100 | 4 000 | 3 950 | | 22 |
| 24 | | | | | | 3 450 | 3 500 | 3 400 | 3 300 | 3 250 | | 24 |
| 26 | | | | | | | 2 900 | 2 800 | 2 700 | 2 650 | | 26 |
| 28 | | | | | | | 2 400 | 2 300 | 2 250 | 2 200 | | 28 |
| 30 | | | | | | | | 1 900 | 1 800 | 1 800 | | 30 |
| 32 | | | | | | | | | 1 450 | 1 400 | | 32 |

* Over the rear capacity and requires special equipment

** Requires special equipment

This information is not for crane operation. Operator must refer to the in-cab information for crane operation. Rated lifting capacities shown meet ISO 4305 standards.

4.8t Counterweight – On Tires – Stationary – Boom Centered Over Rear
(All Capacities Are Listed In Kilograms)

| Radius (m) | Boom Length (m) | | | | | | Radius (m) |
|------------|-----------------|--------|--------|--------|-------|-------|------------|
| | 12.5 | 15.2 | 18.3 | 21.3 | 24.4 | 27.4 | |
| 3 | 15 200 | | | | | | 3 |
| 3.5 | 14 200 | 14 200 | | | | | 3.5 |
| 4 | 13 100 | 13 550 | 13 800 | | | | 4 |
| 4.5 | 12 150 | 12 600 | 12 900 | 10 700 | | | 4.5 |
| 5 | 11 300 | 11 700 | 12 050 | 10 700 | | | 5 |
| 6 | 9 300 | 10 150 | 10 600 | 10 700 | 8 150 | | 6 |
| 7 | 7 100 | 7 900 | 8 500 | 8 900 | 8 150 | | 7 |
| 8 | 5 450 | 6 250 | 6 850 | 7 250 | 7 350 | 6 300 | 8 |
| 9 | 4 250 | 5 050 | 5 600 | 5 950 | 6 100 | 6 200 | 9 |
| 10 | 3 250 | 4 050 | 4 650 | 5 000 | 5 150 | 5 250 | 10 |
| 12 | | 2 600 | 3 150 | 3 550 | 3 700 | 3 800 | 12 |
| 14 | | | 2 150 | 2 500 | 2 650 | 2 750 | 14 |
| 16 | | | 1 400 | 1 750 | 1 900 | 2 000 | 16 |
| 18 | | | | 1 200 | 1 300 | 1 400 | 18 |
| 20 | | | | | 850 | 950 | 20 |
| 22 | | | | | 500 | 600 | 22 |

4.8t Counterweight – On Tires – Pick & Carry (1 km/h) – Boom Centered Over Rear
(All Capacities Are Listed In Kilograms)

| Radius (m) | Boom Length (m) | | | | | | Radius (m) |
|------------|-----------------|--------|-------|-------|-------|-------|------------|
| | 12.5 | 15.2 | 18.3 | 21.3 | 24.4 | 27.4 | |
| 3 | 10 750 | | | | | | 3 |
| 3.5 | 9 950 | 10 050 | | | | | 3.5 |
| 4 | 9 100 | 9 500 | 9 800 | | | | 4 |
| 4.5 | 8 300 | 8 750 | 9 050 | 9 150 | | | 4.5 |
| 5 | 7 650 | 8 100 | 8 450 | 8 650 | | | 5 |
| 6 | 6 450 | 6 950 | 7 300 | 7 500 | 7 450 | | 6 |
| 7 | 5 450 | 5 950 | 6 350 | 6 600 | 6 650 | | 7 |
| 8 | 4 600 | 5 150 | 5 550 | 5 800 | 5 850 | 5 950 | 8 |
| 9 | 3 800 | 4 450 | 4 850 | 5 150 | 5 250 | 5 300 | 9 |
| 10 | 2 900 | 3 600 | 4 150 | 4 450 | 4 600 | 4 700 | 10 |
| 12 | | 2 350 | 2 850 | 3 150 | 3 300 | 3 350 | 12 |
| 14 | | | 1 900 | 2 250 | 2 350 | 2 450 | 14 |
| 16 | | | 1 250 | 1 600 | 1 700 | 1 800 | 16 |
| 18 | | | | 1 050 | 1 150 | 1 250 | 18 |
| 20 | | | | | 750 | 850 | 20 |
| 22 | | | | | 450 | 500 | 22 |

This information is not for crane operation. Operator must refer to the in-cab information for crane operation. Rated lifting capacities shown meet ISO 4305 standards.

Main Boom Lift Capacity Charts – Metric ISO – Optional

| 6.4t Counterweight – Fully Extended Outriggers – 360° Rotation (All Capacities Are Listed In Kilograms) | | | | | | | | | | | |
|--|-----------------|--------|--------|--------|--------|--------|--------|--------|--------|--------|---------------|
| Radius (m) | Boom Length (m) | | | | | | | | | | Radius (m) |
| | 12.5 | 15.2 | 18.3 | 21.3 | 24.4 | 27.4 | 30.5 | 33.5 | 36.6 | 38.71 | |
| 2.5 | 70 000* | | | | | | | | | | 3 |
| 3 | 64 250** | 50 450 | 48 450 | 33 750 | | | | | | | 3 |
| 3.5 | 55 500 | 48 250 | 48 450 | 36 700 | 28 500 | | | | | | 3.5 |
| 4 | 48 000 | 46 300 | 48 450 | 35 000 | 28 500 | | | | | | 4 |
| 4.5 | 42 150 | 42 750 | 43 250 | 35 000 | 28 500 | 27 850 | | | | | 4.5 |
| 5 | 37 450 | 38 050 | 38 600 | 35 000 | 28 500 | 27 850 | | | | | 5 |
| 6 | 30 350 | 31 200 | 31 550 | 31 450 | 28 500 | 26 150 | 21 750 | 14 850 | | | 6 |
| 7 | 25 250 | 26 150 | 26 450 | 26 400 | 26 750 | 23 900 | 20 200 | 14 850 | 11 550 | 10 250 | 7 |
| 8 | 21 400 | 22 300 | 22 700 | 23 050 | 22 950 | 21 900 | 18 750 | 14 700 | 11 550 | 10 250 | 8 |
| 9 | 18 400 | 19 300 | 19 800 | 20 050 | 19 950 | 19 900 | 17 450 | 13 800 | 11 550 | 10 250 | 9 |
| 10 | 15 400 | 16 500 | 17 050 | 17 300 | 17 150 | 17 050 | 16 300 | 12 550 | 11 550 | 10 250 | 10 |
| 12 | | 11 900 | 12 650 | 12 750 | 12 900 | 12 850 | 12 750 | 11 200 | 11 450 | 10 250 | 12 |
| 14 | | | 9 700 | 9 850 | 10 300 | 10 300 | 9 900 | 10 050 | 10 150 | 10 100 | 14 |
| 16 | | | 7 650 | 8 050 | 8 250 | 8 300 | 8 350 | 8 200 | 8 100 | 8 050 | 16 |
| 18 | | | | 6 550 | 6 700 | 6 800 | 6 850 | 6 700 | 6 600 | 6 550 | 18 |
| 20 | | | | | 5 550 | 5 650 | 5 700 | 5 550 | 5 450 | 5 400 | 20 |
| 22 | | | | | 4 600 | 4 700 | 4 750 | 4 600 | 4 550 | 4 450 | 22 |
| 24 | | | | | | 3 900 | 3 950 | 3 850 | 3 800 | 3 700 | 24 |
| 26 | | | | | | | 3 350 | 3 250 | 3 150 | 3 100 | 26 |
| 28 | | | | | | | 2 800 | 2 700 | 2 650 | 2 600 | 28 |
| 30 | | | | | | | | 2 250 | 2 200 | 2 150 | 30 |
| 32 | | | | | | | | | 1 800 | 1 750 | 32 |

* Over the rear capacity and requires special equipment
 ** Requires special equipment

This information is not for crane operation. Operator must refer to the in-cab information for crane operation. Rated lifting capacities shown meet ISO 4305 standards.

| 6.4t Counterweight – On Tires – Stationary – Boom Centered Over Rear (All Capacities Are Listed In Kilograms) | | | | | | | |
|---|-----------------|--------|--------|--------|-------|-------|------------|
| Radius (m) | Boom Length (m) | | | | | | Radius (m) |
| | 12.5 | 15.2 | 18.3 | 21.3 | 24.4 | 27.4 | |
| 3 | 15 250 | | | | | | 3 |
| 3.5 | 14 200 | 14 200 | | | | | 3.5 |
| 4 | 13 100 | 13 500 | 13 800 | | | | 4 |
| 4.5 | 12 150 | 12 550 | 12 850 | 10 700 | | | 4.5 |
| 5 | 11 300 | 11 700 | 12 050 | 10 700 | | | 5 |
| 6 | 9 750 | 10 250 | 10 600 | 10 700 | 8 950 | | 6 |
| 7 | 7 950 | 8 800 | 9 400 | 9 600 | 8 950 | | 7 |
| 8 | 6 200 | 7 000 | 7 600 | 8 000 | 8 100 | 6 900 | 8 |
| 9 | 4 900 | 5 700 | 6 250 | 6 650 | 6 750 | 6 850 | 9 |
| 10 | 3 850 | 4 650 | 5 200 | 5 600 | 5 750 | 5 800 | 10 |
| 12 | | 3 100 | 3 650 | 4 050 | 4 150 | 4 250 | 12 |
| 14 | | | 2 550 | 2 950 | 3 050 | 3 150 | 14 |
| 16 | | | 1 750 | 2 150 | 2 250 | 2 350 | 16 |
| 18 | | | | 1 500 | 1 650 | 1 750 | 18 |
| 20 | | | | | 1 150 | 1 250 | 20 |
| 22 | | | | | 750 | 850 | 22 |
| 24 | | | | | | 500 | 24 |

| 6.4t Counterweight – On Tires – Pick & Carry (1 km/h) – Boom Centered Over Rear (All Capacities Are Listed In Kilograms) | | | | | | | |
|--|-----------------|-------|-------|-------|-------|-------|------------|
| Radius (m) | Boom Length (m) | | | | | | Radius (m) |
| | 12.5 | 15.2 | 18.3 | 21.3 | 24.4 | 27.4 | |
| 3 | 10 650 | | | | | | 3 |
| 3.5 | 9 900 | 9 950 | | | | | 3.5 |
| 4 | 9 050 | 9 450 | 9 700 | | | | 4 |
| 4.5 | 8 300 | 8 750 | 9 050 | 9 100 | | | 4.5 |
| 5 | 7 650 | 8 100 | 8 400 | 8 600 | | | 5 |
| 6 | 6 450 | 6 950 | 7 300 | 7 500 | 7 450 | | 6 |
| 7 | 5 450 | 5 950 | 6 350 | 6 600 | 6 650 | | 7 |
| 8 | 4 600 | 5 150 | 5 550 | 5 800 | 5 850 | 5 950 | 8 |
| 9 | 3 850 | 4 450 | 4 850 | 5 150 | 5 250 | 5 300 | 9 |
| 10 | 3 200 | 3 800 | 4 250 | 4 550 | 4 650 | 4 700 | 10 |
| 12 | | 2 750 | 3 250 | 3 550 | 3 650 | 3 750 | 12 |
| 14 | | | 2 300 | 2 600 | 2 750 | 2 800 | 14 |
| 16 | | | 1 550 | 1 900 | 2 000 | 2 100 | 16 |
| 18 | | | | 1 350 | 1 450 | 1 550 | 18 |
| 20 | | | | | 1 000 | 1 100 | 20 |
| 22 | | | | | 650 | 750 | 22 |
| 24 | | | | | | 450 | 24 |

This information is not for crane operation. Operator must refer to the in-cab information for crane operation. Rated lifting capacities shown meet ISO 4305 standards.

8.2t Counterweight – Fully Extended Outriggers – 360° Rotation
 (All Capacities Are Listed In Kilograms)

| Radius (m) | Boom Length (m) | | | | | | | | | | Radius (m) | |
|------------|-----------------|--------|--------|--------|--------|--------|--------|--------|--------|--------|------------|-----|
| | 12.5 | 15.2 | 18.3 | 21.3 | 24.4 | 27.4 | 30.5 | 33.5 | 36.6 | 38.71 | | |
| 2.5 | 70 000* | | | | | | | | | | | 3 |
| 3 | 64 250** | 50 450 | 48 450 | 33 750 | | | | | | | | 3 |
| 3.5 | 57 250 | 48 250 | 48 450 | 36 700 | 28 500 | | | | | | | 3.5 |
| 4 | 49 600 | 46 300 | 48 450 | 35 000 | 28 500 | | | | | | | 4 |
| 4.5 | 43 600 | 44 200 | 44 650 | 35 000 | 28 500 | 27 850 | | | | | | 4.5 |
| 5 | 38 750 | 39 350 | 39 900 | 35 000 | 28 500 | 27 850 | | | | | | 5 |
| 6 | 31 400 | 32 200 | 32 600 | 32 500 | 28 500 | 26 150 | 21 750 | 14 850 | | | | 6 |
| 7 | 26 200 | 27 050 | 27 400 | 27 350 | 27 000 | 23 900 | 20 200 | 14 850 | 11 550 | 10 250 | | 7 |
| 8 | 22 250 | 23 100 | 23 450 | 23 800 | 23 700 | 21 900 | 18 750 | 14 700 | 11 550 | 10 250 | | 8 |
| 9 | 19 150 | 20 000 | 20 500 | 20 750 | 20 650 | 20 250 | 17 450 | 13 800 | 11 550 | 10 250 | | 9 |
| 10 | 16 650 | 17 550 | 18 050 | 18 300 | 18 200 | 18 150 | 16 300 | 12 550 | 11 550 | 10 250 | | 10 |
| 12 | | 12 950 | 13 550 | 13 800 | 13 650 | 13 550 | 13 500 | 11 200 | 11 450 | 10 250 | | 12 |
| 14 | | | 10 550 | 10 700 | 10 850 | 10 850 | 10 750 | 10 050 | 10 400 | 10 150 | | 14 |
| 16 | | | 8 350 | 8 550 | 8 950 | 9 050 | 8 600 | 8 950 | 8 850 | 8 750 | | 16 |
| 18 | | | | 7 200 | 7 350 | 7 450 | 7 450 | 7 350 | 7 250 | 7 200 | | 18 |
| 20 | | | | | 6 100 | 6 200 | 6 250 | 6 100 | 6 000 | 5 950 | | 20 |
| 22 | | | | | 5 100 | 5 250 | 5 300 | 5 200 | 5 100 | 5 050 | | 22 |
| 24 | | | | | | 4 450 | 4 500 | 4 400 | 4 300 | 4 250 | | 24 |
| 26 | | | | | | | 3 800 | 3 700 | 3 650 | 3 600 | | 26 |
| 28 | | | | | | | 3 250 | 3 150 | 3 050 | 3 000 | | 28 |
| 30 | | | | | | | | 2 650 | 2 600 | 2 550 | | 30 |
| 32 | | | | | | | | | 2 200 | 2 150 | | 32 |

* Over the rear capacity and requires special equipment

** Requires special equipment

This information is not for crane operation. Operator must refer to the in-cab information for crane operation. Rated lifting capacities shown meet ISO 4305 standards.

| 8.2t Counterweight – On Tires – Stationary – Boom Centered Over Rear (All Capacities Are Listed In Kilograms) | | | | | | | |
|---|-----------------|--------|--------|--------|-------|-------|------------|
| Radius (m) | Boom Length (m) | | | | | | Radius (m) |
| | 12.5 | 15.2 | 18.3 | 21.3 | 24.4 | 27.4 | |
| 3 | 14 850 | | | | | | 3 |
| 3.5 | 13 850 | 13 850 | | | | | 3.5 |
| 4 | 12 800 | 13 200 | 13 450 | | | | 4 |
| 4.5 | 11 850 | 12 300 | 12 600 | 12 650 | | | 4.5 |
| 5 | 11 050 | 11 500 | 11 750 | 11 950 | | | 5 |
| 6 | 9 500 | 10 000 | 10 350 | 10 600 | 8 550 | | 6 |
| 7 | 8 250 | 8 800 | 9 150 | 9 400 | 8 550 | | 7 |
| 8 | 7 050 | 7 750 | 8 150 | 8 400 | 8 500 | 7 250 | 8 |
| 9 | 5 600 | 6 400 | 6 950 | 7 350 | 7 500 | 7 250 | 9 |
| 10 | 4 500 | 5 300 | 5 850 | 6 200 | 6 350 | 6 450 | 10 |
| 12 | | 3 600 | 4 200 | 4 550 | 4 700 | 4 800 | 12 |
| 14 | | | 3 000 | 3 400 | 3 500 | 3 600 | 14 |
| 16 | | | 2 150 | 2 500 | 2 650 | 2 750 | 16 |
| 18 | | | | 1 850 | 2 000 | 2 100 | 18 |
| 20 | | | | | 1 450 | 1 550 | 20 |
| 22 | | | | | 1 050 | 1 100 | 22 |
| 24 | | | | | | 750 | 24 |

| 8.2t Counterweight – On Tires – Pick & Carry (1 km/h) – Boom Centered Over Rear (All Capacities Are Listed In Kilograms) | | | | | | | |
|--|-----------------|-------|-------|-------|-------|-------|------------|
| Radius (m) | Boom Length (m) | | | | | | Radius (m) |
| | 12.5 | 15.2 | 18.3 | 21.3 | 24.4 | 27.4 | |
| 3 | 10 750 | | | | | | 3 |
| 3.5 | 9 500 | 9 850 | | | | | 3.5 |
| 4 | 8 750 | 9 000 | 9 350 | | | | 4 |
| 4.5 | 8 050 | 8 450 | 8 650 | 8 650 | | | 4.5 |
| 5 | 7 350 | 7 800 | 8 100 | 8 250 | | | 5 |
| 6 | 6 200 | 6 700 | 7 050 | 7 250 | 7 200 | | 6 |
| 7 | 5 250 | 5 750 | 6 100 | 6 350 | 6 450 | | 7 |
| 8 | 4 400 | 4 950 | 5 350 | 5 600 | 5 700 | 5 750 | 8 |
| 9 | 3 650 | 4 250 | 4 650 | 4 950 | 5 050 | 5 100 | 9 |
| 10 | 3 00 | 3 650 | 4 100 | 4 350 | 4 450 | 4 550 | 10 |
| 12 | | 2 650 | 3 100 | 3 400 | 3 500 | 3 600 | 12 |
| 14 | | | 2 300 | 2 650 | 2 750 | 2 800 | 14 |
| 16 | | | 1 700 | 2 000 | 2 150 | 2 200 | 16 |
| 18 | | | | 1 500 | 1 600 | 1 700 | 18 |
| 20 | | | | | 1 200 | 1 300 | 20 |
| 22 | | | | | 800 | 900 | 22 |
| 24 | | | | | | 600 | 24 |

This information is not for crane operation. Operator must refer to the in-cab information for crane operation. Rated lifting capacities shown meet ISO 4305 standards.

Fly Attachment Lift Capacity Charts – Metric ISO – Optional

| 0t Counterweight – Fully Extended Outriggers – 360° Rotation (All Capacities Are Listed In Kilograms) | | | | | |
|--|---------------|----------------|----------------|----------------|------------|
| 30.1m Main Boom Length – 11.58m Offset Fly Length | | | | | |
| Radius (m) | 2° Fly Offset | 15° Fly Offset | 30° Fly Offset | 45° Fly Offset | Radius (m) |
| 9 | 7 350** | | | | 9 |
| 10 | 7 200** | | | | 10 |
| 12 | 6 800** | 5 700 | | | 12 |
| 14 | 6 400** | 5 400 | 4 550 | | 14 |
| 16 | 5 250 | 5 150 | 4 400 | 3 900 | 16 |
| 18 | 4 100 | 4 500 | 4 250 | 3 800 | 18 |
| 20 | 3 200 | 3 550 | 3 900 | 3 750 | 20 |
| 22 | 2 500 | 2 800 | 3 100 | 3 350 | 22 |
| 24 | 1 950 | 2 200 | 2 450 | 2 650 | 24 |
| 26 | 1 500 | 1 700 | 1 950 | 2 100 | 26 |
| 28 | 1 100 | 1 300 | 1 500 | 1 600 | 28 |
| 30 | 800 | 950 | 1 100 | 1 200 | 30 |
| 32 | 500 | 650 | 750 | | 32 |
| 34 | | 400 | 450 | | 34 |

** Requires special equipment

| 0t Counterweight – Fully Extended Outriggers – 360° Rotation (All Capacities Are Listed In Kilograms) | | | | | |
|--|---------------|----------------|----------------|----------------|------------|
| 38.71m Main Boom Length – 11.58m Offset Fly Length | | | | | |
| Radius (m) | 2° Fly Offset | 15° Fly Offset | 30° Fly Offset | 45° Fly Offset | Radius (m) |
| 10 | 4 950 | | | | 10 |
| 12 | 4 950 | | | | 12 |
| 14 | 4 950 | 4 700 | | | 14 |
| 16 | 4 950 | 4 600 | | | 16 |
| 18 | 4 200 | 4 500 | 4 050 | | 18 |
| 20 | 3 300 | 3 650 | 3 950 | 3 650 | 20 |
| 22 | 2 600 | 2 950 | 3 250 | 3 500 | 22 |
| 24 | 2 050 | 2 350 | 2 600 | 2 800 | 24 |
| 26 | 1 600 | 1 850 | 2 100 | 2 250 | 26 |
| 28 | 1 200 | 1 400 | 1 650 | 1 800 | 28 |
| 30 | 900 | 1 050 | 1 250 | 1 400 | 30 |
| 32 | 600 | 750 | 950 | 1 050 | 32 |
| 34 | | 500 | 650 | 750 | 34 |
| 36 | | | 400 | 450 | 36 |

This information is not for crane operation. Operator must refer to the in-cab information for crane operation. Rated lifting capacities shown meet ISO 4305 standards.

| 4.8t Counterweight – Fully Extended Outriggers – 360° Rotation (All Capacities Are Listed In Kilograms) | | | | | |
|---|----------------|-------|--|----------------|-------|
| 30.1m Main Boom Length 2° Fly Offset | | | 30.1m Main Boom Length 15° Fly Offset | | |
| Radius (m) | Fly Length (m) | | Radius (m) | Fly Length (m) | |
| | 11.58 | 19.51 | | 11.58 | 19.51 |
| 9 | 7 350** | | 9 | | |
| 10 | 7 200** | 4 750 | 10 | | |
| 12 | 6 800** | 4 500 | 12 | 5 700 | |
| 14 | 6 400** | 4 250 | 14 | 5 400 | |
| 16 | 6 050** | 3 950 | 16 | 5 150 | 3 250 |
| 18 | 5 700 | 3 700 | 18 | 4 900 | 3 050 |
| 20 | 5 000 | 3 450 | 20 | 4 650 | 2 900 |
| 22 | 4 100 | 3 250 | 22 | 4 400 | 2 750 |
| 24 | 3 400 | 3 050 | 24 | 3 650 | 2 600 |
| 26 | 2 800 | 2 900 | 26 | 3 000 | 2 500 |
| 28 | 2 300 | 2 700 | 28 | 2 500 | 2 400 |
| 30 | 1 900 | 2 300 | 30 | 2 050 | 2 300 |
| 32 | 1 550 | 1 950 | 32 | 1 650 | 2 200 |
| 34 | 1 250 | 1 600 | 34 | 1 350 | 1 850 |
| 36 | 950 | 1 350 | 36 | 1 050 | 1 550 |
| 38 | 750 | 1 100 | 38 | 800 | 1 250 |
| 40 | | 850 | 40 | | 1 050 |
| 42 | | 700 | 42 | | 800 |
| 44 | | 500 | 44 | | 600 |
| 46 | | 350 | 46 | | 400 |

** Requires special equipment

| 4.8t Counterweight – Fully Extended Outriggers – 360° Rotation (All Capacities Are Listed In Kilograms) | | | | | |
|---|----------------|-------|--|----------------|-------|
| 30.1m Main Boom Length 30° Fly Offset | | | 30.1m Main Boom Length 45° Fly Offset | | |
| Radius (m) | Fly Length (m) | | Radius (m) | Fly Length (m) | |
| | 11.58 | 19.51 | | 11.58 | 19.51 |
| 14 | 4 550 | | 14 | | |
| 16 | 4 400 | | 16 | 3 900 | |
| 18 | 4 250 | | 18 | 3 800 | |
| 20 | 4 100 | 2 450 | 20 | 3 750 | |
| 22 | 3 950 | 2 350 | 22 | 3 650 | |
| 24 | 3 850 | 2 250 | 24 | 3 600 | 2 000 |
| 26 | 3 250 | 2 150 | 26 | 3 400 | 1 950 |
| 28 | 2 700 | 2 100 | 28 | 2 800 | 1 900 |
| 30 | 2 200 | 2 050 | 30 | 2 300 | 1 900 |
| 32 | 1 800 | 2 000 | 32 | 1 850 | 1 850 |
| 34 | 1 400 | 1 950 | 34 | | 1 850 |
| 36 | 1 100 | 1 750 | 36 | | 1 850 |
| 38 | | 1 450 | 38 | | 1 550 |
| 40 | | 1 150 | 40 | | 1 200 |
| 42 | | 900 | 42 | | |
| 44 | | 650 | 44 | | |

This information is not for crane operation. Operator must refer to the in-cab information for crane operation. Rated lifting capacities shown meet ISO 4305 standards.

| 4.8t Counterweight – Fully Extended Outriggers – 360° Rotation (All Capacities Are Listed In Kilograms) | | | | | | | |
|--|----------------|-------|-------|---|----------------|-------|-------|
| 38.71m Main Boom Length 2° Fly Offset | | | | 38.71m Main Boom Length 15° Fly Offset | | | |
| Radius (m) | Fly Length (m) | | | Radius (m) | Fly Length (m) | | |
| | 11.58 | 19.51 | 24.38 | | 11.58 | 19.51 | 24.38 |
| 10 | 4 950 | | | 10 | | | |
| 12 | 4 950 | | | 12 | | | |
| 14 | 4 950 | 3 350 | 2 600 | 14 | 4 700 | | |
| 16 | 4 950 | 3 300 | 2 600 | 16 | 4 600 | | |
| 18 | 4 950 | 3 200 | 2 600 | 18 | 4 500 | | |
| 20 | 4 850 | 3 150 | 2 600 | 20 | 4 400 | 2 750 | 2 500 |
| 22 | 4 200 | 3 050 | 2 600 | 22 | 4 300 | 2 650 | 2 300 |
| 24 | 3 500 | 2 950 | 2 550 | 24 | 3 750 | 2 550 | 2 150 |
| 26 | 2 900 | 2 850 | 2 350 | 26 | 3 150 | 2 500 | 2 000 |
| 28 | 2 400 | 2 700 | 2 200 | 28 | 2 600 | 2 400 | 1 850 |
| 30 | 2 000 | 2 300 | 2 050 | 30 | 2 200 | 2 300 | 1 750 |
| 32 | 1 650 | 1 900 | 1 850 | 32 | 1 800 | 2 200 | 1 650 |
| 34 | 1 350 | 1 600 | 1 550 | 34 | 1 450 | 1 850 | 1 550 |
| 36 | 1 050 | 1 300 | 1 250 | 36 | 1 200 | 1 550 | 1 450 |
| 38 | 800 | 1 050 | 1 000 | 38 | 950 | 1 300 | 1 200 |
| 40 | 600 | 850 | 800 | 40 | 700 | 1 050 | 950 |
| 42 | 400 | 650 | 600 | 42 | 500 | 850 | 750 |
| 44 | | 500 | 400 | 44 | | 650 | 550 |
| 46 | | | | 46 | | 450 | 400 |

| 4.8t Counterweight – Fully Extended Outriggers – 360° Rotation (All Capacities Are Listed In Kilograms) | | | | | | | |
|--|----------------|-------|-------|---|----------------|-------|-------|
| 38.71m Main Boom Length 30° Fly Offset | | | | 38.71m Main Boom Length 45° Fly Offset | | | |
| Radius (m) | Fly Length (m) | | | Radius (m) | Fly Length (m) | | |
| | 11.58 | 19.51 | 24.38 | | 11.58 | 19.51 | 24.38 |
| 18 | 4 050 | | | 18 | | | |
| 20 | 3 950 | | | 20 | 3 650 | | |
| 22 | 3 850 | | | 22 | 3 600 | | |
| 24 | 3 800 | 2 200 | | 24 | 3 500 | | |
| 26 | 3 400 | 2 150 | 1 650 | 26 | 3 450 | | |
| 28 | 2 850 | 2 100 | 1 550 | 28 | 3 000 | 1 900 | 1 350 |
| 30 | 2 350 | 2 050 | 1 500 | 30 | 2 500 | 1 850 | 1 300 |
| 32 | 1 950 | 2 000 | 1 400 | 32 | 2 050 | 1 850 | 1 250 |
| 34 | 1 600 | 1 950 | 1 300 | 34 | 1 700 | 1 850 | 1 200 |
| 36 | 1 300 | 1 800 | 1 250 | 36 | 1 350 | 1 800 | 1 100 |
| 38 | 1 000 | 1 500 | 1 200 | 38 | 1 050 | 1 700 | 1 100 |
| 40 | 800 | 1 250 | 1 150 | 40 | | 1 400 | 1 050 |
| 42 | 550 | 1 000 | 950 | 42 | | 1 100 | 1 000 |
| 44 | | 800 | 750 | 44 | | 850 | 850 |
| 46 | | 600 | 550 | 46 | | 650 | 650 |
| 48 | | 400 | | 48 | | 400 | 450 |

This information is not for crane operation. Operator must refer to the in-cab information for crane operation. Rated lifting capacities shown meet ISO 4305 standards.

| 6.4t Counterweight – Fully Extended Outriggers – 360° Rotation (All Capacities Are Listed In Kilograms) | | | | | |
|---|----------------|-------|---|----------------|-------|
| 30.1m Main Boom Length 2° Fly Offset | | | 30.1m ft Main Boom Length 15° Fly Offset | | |
| Radius (m) | Fly Length (m) | | Radius (m) | Fly Length (m) | |
| | 11.58 | 19.51 | | 11.58 | 19.51 |
| 9 | 7 350** | | 9 | | |
| 10 | 7 200** | 4 750 | 10 | | |
| 12 | 6 800** | 4 500 | 12 | 5 700 | |
| 14 | 6 400** | 4 250 | 14 | 5 400 | |
| 16 | 6 050** | 3 950 | 16 | 5 150 | 3 250 |
| 18 | 5 700 | 3 700 | 18 | 4 900 | 3 050 |
| 20 | 5 400 | 3 450 | 20 | 4 650 | 2 900 |
| 22 | 4 600 | 3 250 | 22 | 4 450 | 2 750 |
| 24 | 3 850 | 3 050 | 24 | 4 100 | 2 600 |
| 26 | 3 250 | 2 900 | 26 | 3 450 | 2 500 |
| 28 | 2 700 | 2 700 | 28 | 2 900 | 2 400 |
| 30 | 2 250 | 2 600 | 30 | 2 400 | 2 300 |
| 32 | 1 900 | 2 250 | 32 | 2 000 | 2 200 |
| 34 | 1 550 | 1 950 | 34 | 1 650 | 2 100 |
| 36 | 1 250 | 1 650 | 36 | 1 350 | 1 850 |
| 38 | 1 000 | 1 350 | 38 | 1 050 | 1 550 |
| 40 | | 1 150 | 40 | | 1 300 |
| 42 | | 950 | 42 | | 1 050 |
| 44 | | 750 | 44 | | 850 |
| 46 | | 600 | 46 | | 650 |

** Requires special equipment

| 6.4t Counterweight – Fully Extended Outriggers – 360° Rotation (All Capacities Are Listed In Kilograms) | | | | | |
|---|----------------|-------|--|----------------|-------|
| 30.1m Main Boom Length 30° Fly Offset | | | 30.1m Main Boom Length 45° Fly Offset | | |
| Radius (m) | Fly Length (m) | | Radius (m) | Fly Length (m) | |
| | 11.58 | 19.51 | | 11.58 | 19.51 |
| 14 | 4 550 | | 14 | | |
| 16 | 4 400 | | 16 | 3 900 | |
| 18 | 4 250 | | 18 | 3 800 | |
| 20 | 4 100 | 2 450 | 20 | 3 750 | |
| 22 | 3 950 | 2 350 | 22 | 3 650 | |
| 24 | 3 850 | 2 250 | 24 | 3 600 | 2 000 |
| 26 | 3 650 | 2 150 | 26 | 3 500 | 1 950 |
| 28 | 3 100 | 2 100 | 28 | 3 200 | 1 900 |
| 30 | 2 550 | 2 050 | 30 | 2 650 | 1 900 |
| 32 | 2 150 | 2 000 | 32 | 2 200 | 1 850 |
| 34 | 1 750 | 1 950 | 34 | | 1 850 |
| 36 | 1 400 | 1 900 | 36 | | 1 850 |
| 38 | | 1 750 | 38 | | 1 850 |
| 40 | | 1 450 | 40 | | 1 500 |
| 42 | | 1 150 | 42 | | |
| 44 | | 900 | 44 | | |

This information is not for crane operation. Operator must refer to the in-cab information for crane operation. Rated lifting capacities shown meet ISO 4305 standards.

| 6.4t Counterweight – Fully Extended Outriggers – 360° Rotation (All Capacities Are Listed In Kilograms) | | | | | | | | | |
|---|----------------|-------|-------|-------|---|----------------|-------|-------|-------|
| 38.71m Main Boom Length 2° Fly Offset | | | | | 38.71m Main Boom Length 15° Fly Offset | | | | |
| Radius (m) | Fly Length (m) | | | | Radius (m) | Fly Length (m) | | | |
| | 11.58 | 19.51 | 24.38 | 29.26 | | 11.58 | 19.51 | 24.38 | 29.26 |
| 10 | 4 950 | | | | 10 | | | | |
| 12 | 4 950 | | | | 12 | | | | |
| 14 | 4 950 | 3 350 | 2 600 | | 14 | 4 700 | | | |
| 16 | 4 950 | 3 300 | 2 600 | 2 050 | 16 | 4 600 | | | |
| 18 | 4 950 | 3 200 | 2 600 | 2 050 | 18 | 4 500 | | | |
| 20 | 4 850 | 3 150 | 2 600 | 2 050 | 20 | 4 400 | 2 750 | 2 500 | |
| 22 | 4 750 | 3 050 | 2 600 | 2 050 | 22 | 4 300 | 2 650 | 2 300 | 1 850 |
| 24 | 3 950 | 2 950 | 2 550 | 1 900 | 24 | 4 100 | 2 550 | 2 150 | 1 700 |
| 26 | 3 350 | 2 850 | 2 350 | 1 750 | 26 | 3 600 | 2 500 | 2 000 | 1 550 |
| 28 | 2 800 | 2 750 | 2 200 | 1 600 | 28 | 3 000 | 2 400 | 1 850 | 1 400 |
| 30 | 2 350 | 2 650 | 2 050 | 1 450 | 30 | 2 550 | 2 300 | 1 750 | 1 300 |
| 32 | 2 000 | 2 250 | 1 900 | 1 350 | 32 | 2 150 | 2 250 | 1 650 | 1 200 |
| 34 | 1 650 | 1 900 | 1 750 | 1 250 | 34 | 1 800 | 2 100 | 1 550 | 1 100 |
| 36 | 1 350 | 1 600 | 1 550 | 1 150 | 36 | 1 500 | 1 850 | 1 450 | 1 000 |
| 38 | 1 100 | 1 350 | 1 300 | 1 050 | 38 | 1 200 | 1 600 | 1 400 | 950 |
| 40 | 900 | 1 100 | 1 050 | 1 000 | 40 | 950 | 1 300 | 1 250 | 850 |
| 42 | 650 | 900 | 850 | 800 | 42 | 750 | 1 100 | 1 000 | 800 |
| 44 | 500 | 750 | 650 | 600 | 44 | 550 | 900 | 800 | 750 |
| 46 | | 550 | 500 | 450 | 46 | | 700 | 600 | 600 |
| 48 | | 400 | | | 48 | | 500 | 450 | 450 |

| 6.4t Counterweight – Fully Extended Outriggers – 360° Rotation (All Capacities Are Listed In Kilograms) | | | | | | | | | |
|---|----------------|-------|-------|-------|---|----------------|-------|-------|-------|
| 38.71m Main Boom Length 30° Fly Offset | | | | | 38.71m Main Boom Length 45° Fly Offset | | | | |
| Radius (m) | Fly Length (m) | | | | Radius (m) | Fly Length (m) | | | |
| | 11.58 | 19.51 | 24.38 | 29.26 | | 11.58 | 19.51 | 24.38 | 29.26 |
| 18 | 4 050 | | | | 18 | | | | |
| 20 | 3 950 | | | | 20 | 3 650 | | | |
| 22 | 3 850 | | | | 22 | 3 600 | | | |
| 24 | 3 800 | 2 200 | | | 24 | 3 500 | | | |
| 26 | 3 650 | 2 150 | 1 650 | 1 350 | 26 | 3 450 | | | |
| 28 | 3 250 | 2 100 | 1 550 | 1 250 | 28 | 3 300 | 1 900 | 1 350 | |
| 30 | 2 750 | 2 050 | 1 500 | 1 150 | 30 | 2 850 | 1 850 | 1 300 | 1 000 |
| 32 | 2 300 | 2 000 | 1 400 | 1 050 | 32 | 2 400 | 1 850 | 1 250 | 950 |
| 34 | 1 950 | 1 950 | 1 300 | 950 | 34 | 2 000 | 1 850 | 1 200 | 850 |
| 36 | 1 600 | 1 850 | 1 250 | 900 | 36 | 1 650 | 1 800 | 1 100 | 800 |
| 38 | 1 300 | 1 750 | 1 200 | 800 | 38 | 1 350 | 1 700 | 1 100 | 750 |
| 40 | 1 050 | 1 500 | 1 150 | 750 | 40 | | 1 650 | 1 050 | 700 |
| 42 | 800 | 1 250 | 1 100 | 700 | 42 | | 1 350 | 1 000 | 650 |
| 44 | 600 | 1 050 | 1 000 | 650 | 44 | | 1 100 | 1 000 | 600 |
| 46 | | 800 | 800 | 600 | 46 | | 850 | 900 | 550 |
| 48 | | 600 | 600 | 550 | 48 | | 650 | 650 | 500 |
| 50 | | 450 | 400 | 400 | 50 | | | 450 | 500 |

This information is not for crane operation. Operator must refer to the in-cab information for crane operation. Rated lifting capacities shown meet ISO 4305 standards.

| 8.2t Counterweight – Fully Extended Outriggers – 360° Rotation (All Capacities Are Listed In Kilograms) | | | | | |
|---|----------------|-------|--|----------------|-------|
| 30.1m Main Boom Length 2° Fly Offset | | | 30.1m Main Boom Length 15° Fly Offset | | |
| Radius (m) | Fly Length (m) | | Radius (m) | Fly Length (m) | |
| | 11.58 | 19.51 | | 11.58 | 19.51 |
| 9 | 7 350** | | 9 | | |
| 10 | 7 200** | 4 750 | 10 | | |
| 12 | 6 800** | 4 500 | 12 | 5 700 | |
| 14 | 6 400** | 4 250 | 14 | 5 400 | |
| 16 | 6 050** | 3 950 | 16 | 5 150 | 3 250 |
| 18 | 5 700 | 3 700 | 18 | 4 900 | 3 050 |
| 20 | 5 400 | 3 450 | 20 | 4 650 | 2 900 |
| 22 | 5 100 | 3 250 | 22 | 4 450 | 2 750 |
| 24 | 4 400 | 3 050 | 24 | 4 300 | 2 600 |
| 26 | 3 700 | 2 900 | 26 | 3 950 | 2 500 |
| 28 | 3 150 | 2 700 | 28 | 3 350 | 2 400 |
| 30 | 2 650 | 2 600 | 30 | 2 800 | 2 300 |
| 32 | 2 250 | 2 450 | 32 | 2 400 | 2 200 |
| 34 | 1 900 | 2 300 | 34 | 2 000 | 2 100 |
| 36 | 1 600 | 1 950 | 36 | 1 700 | 2 050 |
| 38 | 1 350 | 1 700 | 38 | 1 350 | 1 850 |
| 40 | | 1 450 | 40 | | 1 600 |
| 42 | | 1 200 | 42 | | 1 350 |
| 44 | | 1 000 | 44 | | 1 100 |
| 46 | | 850 | 46 | | 900 |

** Requires special equipment

| 8.2t Counterweight – Fully Extended Outriggers – 360° Rotation (All Capacities Are Listed In Kilograms) | | | | | |
|---|----------------|-------|--|----------------|-------|
| 30.1m Main Boom Length 30° Fly Offset | | | 30.1m Main Boom Length 45° Fly Offset | | |
| Radius (m) | Fly Length (m) | | Radius (m) | Fly Length (m) | |
| | 11.58 | 19.51 | | 11.58 | 19.51 |
| 14 | 4 550 | | 14 | | |
| 16 | 4 400 | | 16 | 3 900 | |
| 18 | 4 250 | | 18 | 3 800 | |
| 20 | 4 100 | 2 450 | 20 | 3 750 | |
| 22 | 3 950 | 2 350 | 22 | 3 650 | |
| 24 | 3 850 | 2 250 | 24 | 3 600 | 2 000 |
| 26 | 3 750 | 2 150 | 26 | 3 500 | 1 950 |
| 28 | 3 500 | 2 100 | 28 | 3 450 | 1 900 |
| 30 | 2 950 | 2 050 | 30 | 3 050 | 1 900 |
| 32 | 2 500 | 2 000 | 32 | 2 550 | 1 850 |
| 34 | 2 100 | 1 950 | 34 | | 1 850 |
| 36 | 1 750 | 1 900 | 36 | | 1 850 |
| 38 | | 1 850 | 38 | | 1 850 |
| 40 | | 1 700 | 40 | | 1 800 |
| 42 | | 1 450 | 42 | | |
| 44 | | 1 150 | 44 | | |

This information is not for crane operation. Operator must refer to the in-cab information for crane operation. Rated lifting capacities shown meet ISO 4305 standards.

| 8.2t Counterweight – Fully Extended Outriggers – 360° Rotation (All Capacities Are Listed In Kilograms) | | | | | | | | | |
|--|----------------|-------|-------|-------|---|----------------|-------|-------|-------|
| 38.71m Main Boom Length 2° Fly Offset | | | | | 38.71m Main Boom Length 15° Fly Offset | | | | |
| Radius (m) | Fly Length (m) | | | | Radius (m) | Fly Length (m) | | | |
| | 11.58 | 19.51 | 24.38 | 29.26 | | 11.58 | 19.51 | 24.38 | 29.26 |
| 10 | 4 950 | | | | 10 | | | | |
| 12 | 4 950 | | | | 12 | | | | |
| 14 | 4 950 | 3 350 | 2 600 | | 14 | 4 700 | | | |
| 16 | 4 950 | 3 300 | 2 600 | 2 050 | 16 | 4 600 | | | |
| 18 | 4 950 | 3 200 | 2 600 | 2 050 | 18 | 4 500 | | | |
| 20 | 4 850 | 3 150 | 2 600 | 2 050 | 20 | 4 400 | 2 750 | 2 500 | |
| 22 | 4 750 | 3 050 | 2 600 | 2 050 | 22 | 4 300 | 2 650 | 2 300 | 1 850 |
| 24 | 4 450 | 2 950 | 2 550 | 1 900 | 24 | 4 100 | 2 550 | 2 150 | 1 700 |
| 26 | 3 800 | 2 850 | 2 350 | 1 750 | 26 | 3 850 | 2 500 | 2 000 | 1 550 |
| 28 | 3 250 | 2 750 | 2 200 | 1 600 | 28 | 3 450 | 2 400 | 1 850 | 1 400 |
| 30 | 2 750 | 2 650 | 2 050 | 1 450 | 30 | 2 950 | 2 300 | 1 750 | 1 300 |
| 32 | 2 350 | 2 450 | 1 900 | 1 350 | 32 | 2 500 | 2 250 | 1 650 | 1 200 |
| 34 | 2 000 | 2 250 | 1 750 | 1 250 | 34 | 2 150 | 2 100 | 1 550 | 1 100 |
| 36 | 1 700 | 1 950 | 1 650 | 1 150 | 36 | 1 800 | 2 000 | 1 450 | 1 000 |
| 38 | 1 400 | 1 650 | 1 550 | 1 050 | 38 | 1 500 | 1 900 | 1 400 | 950 |
| 40 | 1 150 | 1 400 | 1 350 | 1 000 | 40 | 1 250 | 1 600 | 1 300 | 850 |
| 42 | 950 | 1 200 | 1 100 | 900 | 42 | 1 050 | 1 350 | 1 250 | 800 |
| 44 | 750 | 1 000 | 900 | 850 | 44 | 800 | 1 150 | 1 050 | 750 |
| 46 | 600 | 800 | 750 | 700 | 46 | 600 | 950 | 850 | 700 |
| 48 | 450 | 650 | 550 | 550 | 48 | | 750 | 700 | 650 |
| 50 | | 500 | 400 | 400 | 50 | | 600 | 500 | 500 |
| 52 | | 350 | | | 52 | | 450 | | |
| 54 | | 250 | | | 54 | | 300 | | |
| 56 | | 150 | | | 56 | | | | |

This information is not for crane operation. Operator must refer to the in-cab information for crane operation. Rated lifting capacities shown meet ISO 4305 standards.

| 8.2t Counterweight – Fully Extended Outriggers – 360° Rotation (All Capacities Are Listed In Kilograms) | | | | | | | | | |
|---|----------------|-------|-------|-------|---|----------------|-------|-------|-------|
| 38.71m Main Boom Length 30° Fly Offset | | | | | 38.71m Main Boom Length 45° Fly Offset | | | | |
| Radius (m) | Fly Length (m) | | | | Radius (m) | Fly Length (m) | | | |
| | 11.58 | 19.51 | 24.38 | 29.26 | | 11.58 | 19.51 | 24.38 | 29.26 |
| 18 | 4 050 | | | | 18 | | | | |
| 20 | 3 950 | | | | 20 | 3 650 | | | |
| 22 | 3 850 | | | | 22 | 3 600 | | | |
| 24 | 3 800 | 2 200 | | | 24 | 3 500 | | | |
| 26 | 3 650 | 2 150 | 1 650 | 1 350 | 26 | 3 450 | | | |
| 28 | 3 450 | 2 100 | 1 550 | 1 250 | 28 | 3 300 | 1 900 | 1 350 | |
| 30 | 3 150 | 2 050 | 1 500 | 1 150 | 30 | 3 150 | 1 850 | 1 300 | 1 000 |
| 32 | 2 700 | 2 000 | 1 400 | 1 050 | 32 | 2 800 | 1 850 | 1 250 | 950 |
| 34 | 2 300 | 1 950 | 1 300 | 950 | 34 | 2 350 | 1 850 | 1 200 | 850 |
| 36 | 1 950 | 1 850 | 1 250 | 900 | 36 | 2 000 | 1 800 | 1 100 | 800 |
| 38 | 1 600 | 1 750 | 1 200 | 800 | 38 | 1 650 | 1 700 | 1 100 | 750 |
| 40 | 1 350 | 1 650 | 1 150 | 750 | 40 | | 1 650 | 1 050 | 700 |
| 42 | 1 100 | 1 550 | 1 100 | 700 | 42 | | 1 550 | 1 000 | 650 |
| 44 | 850 | 1 300 | 1 050 | 650 | 44 | | 1 350 | 1 000 | 600 |
| 46 | | 1 050 | 1 000 | 600 | 46 | | 1 100 | 950 | 550 |
| 48 | | 850 | 800 | 550 | 48 | | 900 | 900 | 500 |
| 50 | | 650 | 650 | 550 | 50 | | | 700 | 500 |
| 52 | | 500 | 450 | 500 | 52 | | | 500 | 500 |

This information is not for crane operation. Operator must refer to the in-cab information for crane operation. Rated lifting capacities shown meet ISO 4305 standards.

This Page Intentionally Blank

This Page Intentionally Blank

This Page Intentionally Blank

Link-Belt Cranes Lexington, Kentucky www.linkbelt.com

®Link-Belt is a registered trademark. Copyright 2017. We are constantly improving our products and therefore reserve the right to change designs and specifications.